

TABLE OF CONTENTS

Canopy Information and Specifications.....	3
Standard Color Definition for Canopies	4
Standard Color Definition for Boxed-Out Canopies	5
Eave/Rake Extension Information and Specifications.....	6
Standard Color Definition for Eave Extensions.....	7
Standard Color Definition for Rake Extensions.....	8
Canopy Structural Details	9
Below Eave Canopy (Exposed Beam)	9
CE0010PE – Sheeting, Bypass Girts	9
AQ0010 – Bypass Girts.....	10
AQ0020 – Inset Girts.....	11
AQ0030 – Flush Girts.....	12
At Eave Canopy (Exposed Beam).....	13
CE0050PE – Sheeting, Bypass Girts	13
AQ0040 – Bypass Girts.....	14
AQ0050 – Inset Girts.....	15
AQ0060 – Flush Girts.....	16
AQ0070 – High Side, Flush Girts	17
Boxed-Out Canopy Structural Details.....	18
Flush Sidewall Girts.....	18
AQ0110 – Low Eave, Built-Up.....	18
AQ0120 – High Eave, Built-Up.....	19
AQ0130 – Low Eave, Cold-Form	20
AQ0140 – High Eave, Cold-Form.....	21
Inset Sidewall Girts.....	22
AQ0200 – Beam Spacer Detail	22
AQ0210 – Low Eave, Built-Up.....	23
AQ0220 – High Eave, Built-Up.....	24
AQ0230 – Low Eave, Cold-Form	25
AQ0240 – High Eave, Cold-Form.....	26
Bypass Sidewall Girts.....	27
AQ0300 – Beam Spacer Detail	27
AQ0310 – Low Eave, Built-Up.....	28
AQ0320 – High Eave, Built-Up.....	29
AQ0330 – Low Eave, Cold-Form	30



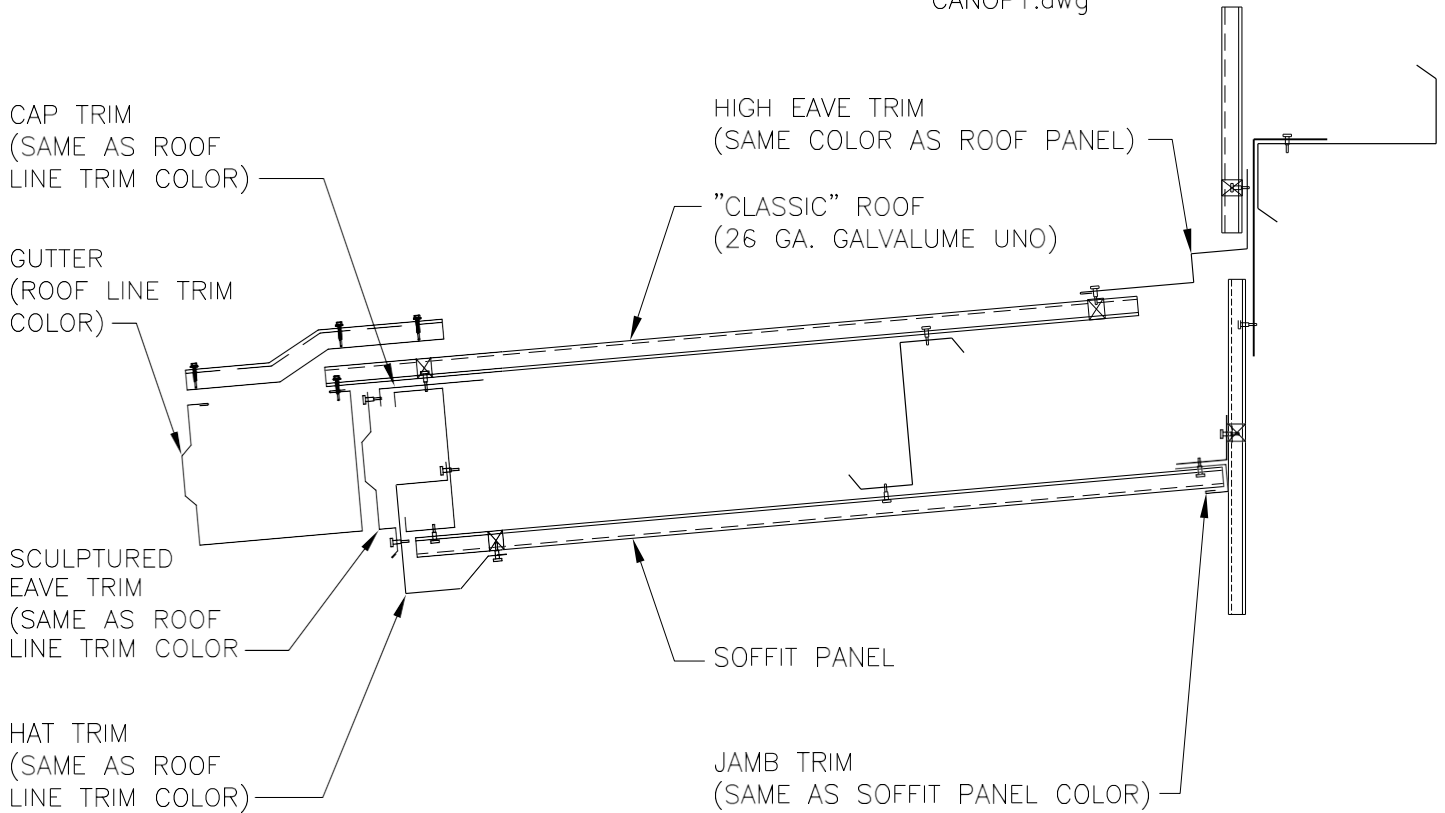
AQ0340 – High Eave, Cold-Form.....	31
Post and Beam Endwall	32
AQ0410 – Flush	32
AQ0420 – Inset	33
AQ0430 – Bypass	34
AQ0440 – Rafter, Low Eave, - Built-Up.....	35
AQ0450 – Rafter, High Eave, - Built-Up.....	36
AQ0460 – Rafter, Low Eave, - Cold-Form.....	37
AQ0470 – Rafter, High Eave, - Cold-Form.....	38
Cold-Formed Horizontal Details	39
AQ0500 – Single CEE Horizontal.....	39
AQ0510 – Double CEE Horizontal	40
Boxed-Out Canopy Sheeting Details	41
Classic Roof	41
DO0105 – Beam Trim Detail	41
DO0110PE – Low Eave, No Gutter.....	42
DO0130PE – Low Eave, Gutter	43
DO0150PE – Rake	44
DO0160PE – High Eave.....	45
C.F.R. Roof	46
EQ6005 – Beam Trim Detail	46
EQ6010 – Low Eave, No Gutter.....	47
EQ0030PE – Low Eave, Gutter.....	48
EQ0050PE – Rake	49
EQ0060PE – High Eave.....	50
Eave/Rake Extension Details	51
CE0080PE – Eave Extension (Concealed Beam).....	51
DM0070 – Rake Extension (Nucor “Classic Roof”™).....	52
EO1050PE – Rake Extension (Nucor “CFR”™ Roof)	53
DM0210 – Eave Extension at Box Beam (Nucor “Classic Roof”™)	54
EO6210 – Eave Extension at Box Beam (Nucor “CFR”™ Roof).....	55
Walkdoor Canopy Details	56
DO0600PE – Walkdoor Canopy Detail	56

CANOPY INFORMATION AND SPECIFICATIONS

1. Canopies may be ordered “at eave” or “below eave”. The structural beam of the canopy is not enclosed within the optional soffit system. Standard canopy projections are 5’-0” or 10’-0”.
2. Canopy systems must terminate at a sidewall or endwall column.
3. Reference details in this section when specifying a canopy to determine minimum and maximum standard projections. Deviation from these standard limitations may require non-standard framing methods to be priced for the project.
4. Standard below eave canopy roof slope shall be 1:12.
5. Soffit material where specified, spans the canopy projection. Other soffit applications are non-standard and require special pricing.
6. Nucor’s standard product soffit panel configuration shall be Nucor Classic Wall™ panel, Nucor Reverse Classic Wall™ panel, or Nucor Accent Wall™ panel.
7. Customer shall establish a clear height requirement for below eave canopies. This is defined as the distance from the building finished floor elevation to the underside of the canopy beam. (Refer to the following details.)
8. In any below eave canopy condition, Nucor shall consider the possibility of snowdrift.
9. Standard below eave canopy roof type is to be Classic 26 ga. unless specified otherwise.
10. Eave condition on below eave canopy is to match main building unless noted otherwise.

STANDARD COLOR DEFINITION FOR CANOPIES

STANDARD COLORS FOR CANOPIES
CANOPY.dwg



STANDARD COLOR DEFINITION FOR BOXED-OUT CANOPIES

STANDARD COLORS FOR BOXED-OUT CANOPIES

BOXED OUT CANOPY.dwg

"CLASSIC" ROOF PANEL
(SHOWN FOR REFERENCE ONLY)

NOTE: SCULPTURED RAKE TRIM AND
HIGH EAVE TRIM ARE ALSO THE SAME
AS THE ROOF LINE TRIM AS STANDARD

GUTTER
(ROOF LINE
TRIM COLOR)

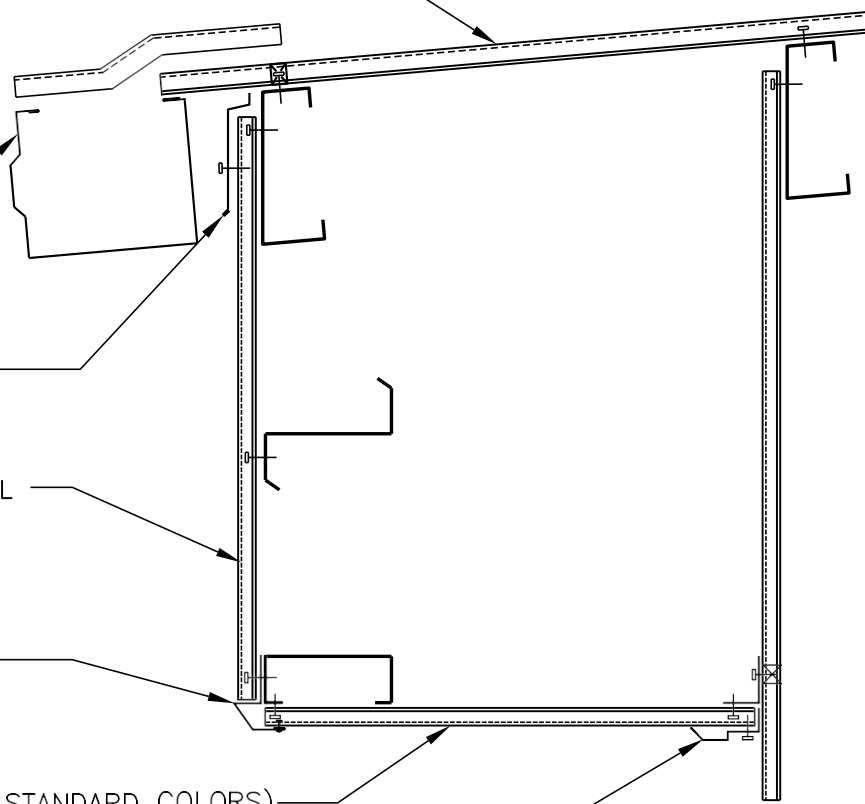
LOW EAVE TRIM
(SAME COLOR AS
ROOF LINE TRIM)

CANOPIE FACE PANEL

SOFFIT TRIM
(SAME COLOR AS
FACE PANEL)

SOFFIT PANEL (ALL STANDARD COLORS)

SOFFIT TRIM
(SAME COLOR AS SOFFIT PANEL)



EAVE/RAKE EXTENSION INFORMATION AND SPECIFICATIONS

1. The standard eave or rake extension is an extension of the roof purlin system, and therefore follows the profile of the main building. The structural components (beams and/or purlins) are completely enclosed within the soffit panel system. Standard eave/rake extension projections are 2'-0" and 4'-0".
2. Rake extensions cannot continue further than the sidewall steel line. Roof extensions beyond the sidewall steel line will be considered an eave extension.
3. Reference details in this section when specifying an eave/rake extension to determine minimum and maximum standard projections. Deviations from these standard limitations may require non-standard framing methods to be priced for the project.
4. Soffit material is used with eave/rake extensions as a standard to allow for a "cleaner" flashing condition.
5. Soffit material shall run parallel with roof line.
6. Nucor's standard soffit panel configuration shall be Nucor Classic Wall™ panel, Nucor Reverse Classic Wall™ panel, or Nucor Accent Wall™ panel.
7. Eave extensions must start and stop at frame lines.
8. Eave extension beams may consist of built-up, hot-rolled, or cold-formed material. Reference CAD Details (Section "AN") and Design to Detailing Sheets for specific framing information.

STANDARD COLOR DEFINITION FOR EAVE EXTENSIONS

STANDARD COLORS FOR EAVE EXTENSIONS

EAVE_EXTENSION.dwg

"CLASSIC" ROOF

(SHOWN FOR REFERENCE ONLY)

CAP TRIM

(ROOF LINE TRIM COLOR)

GUTTER

(ROOF LINE TRIM COLOR)

FACE TRIM

(ROOF LINE TRIM COLOR)

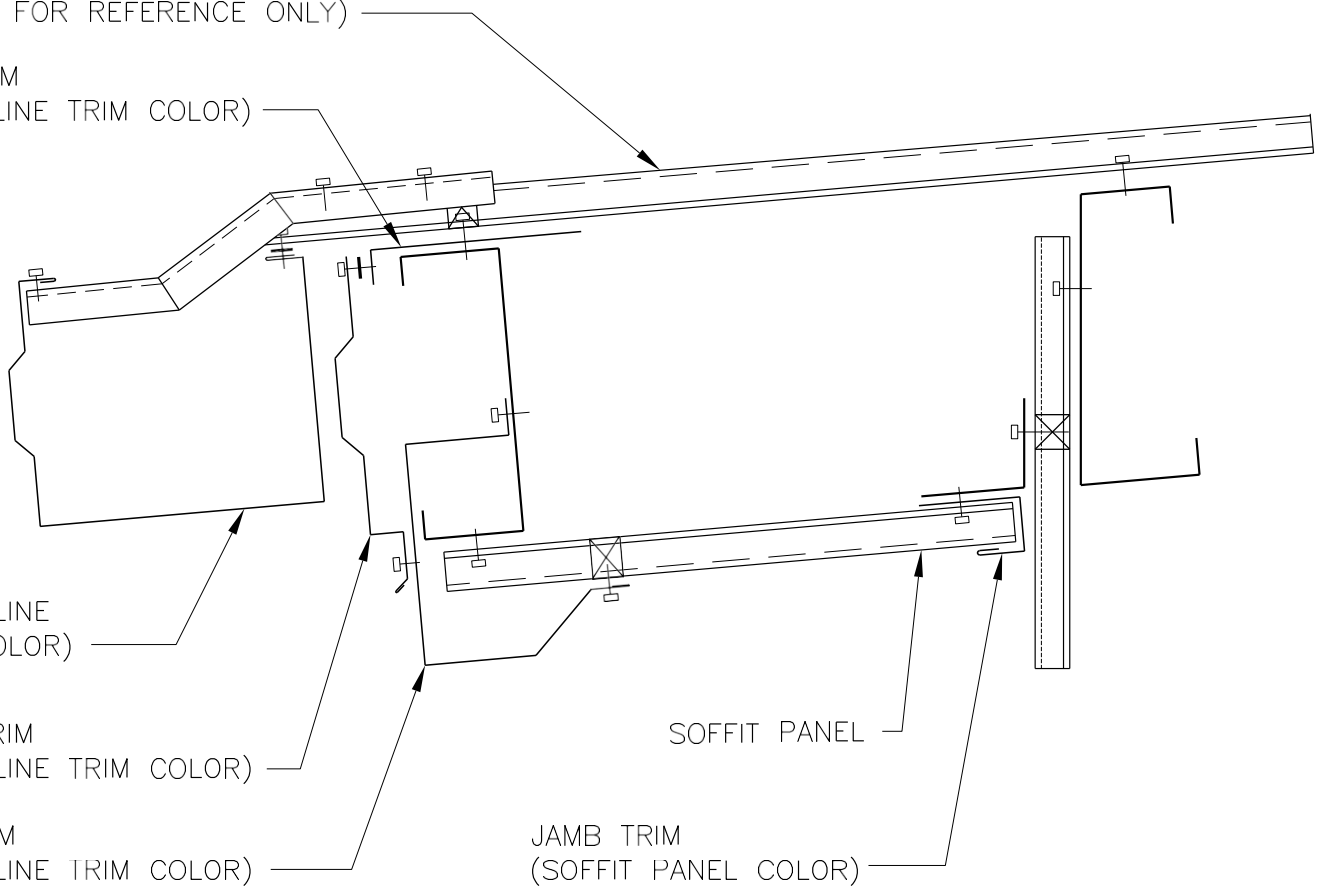
HAT TRIM

(ROOF LINE TRIM COLOR)

SOFFIT PANEL

JAMB TRIM

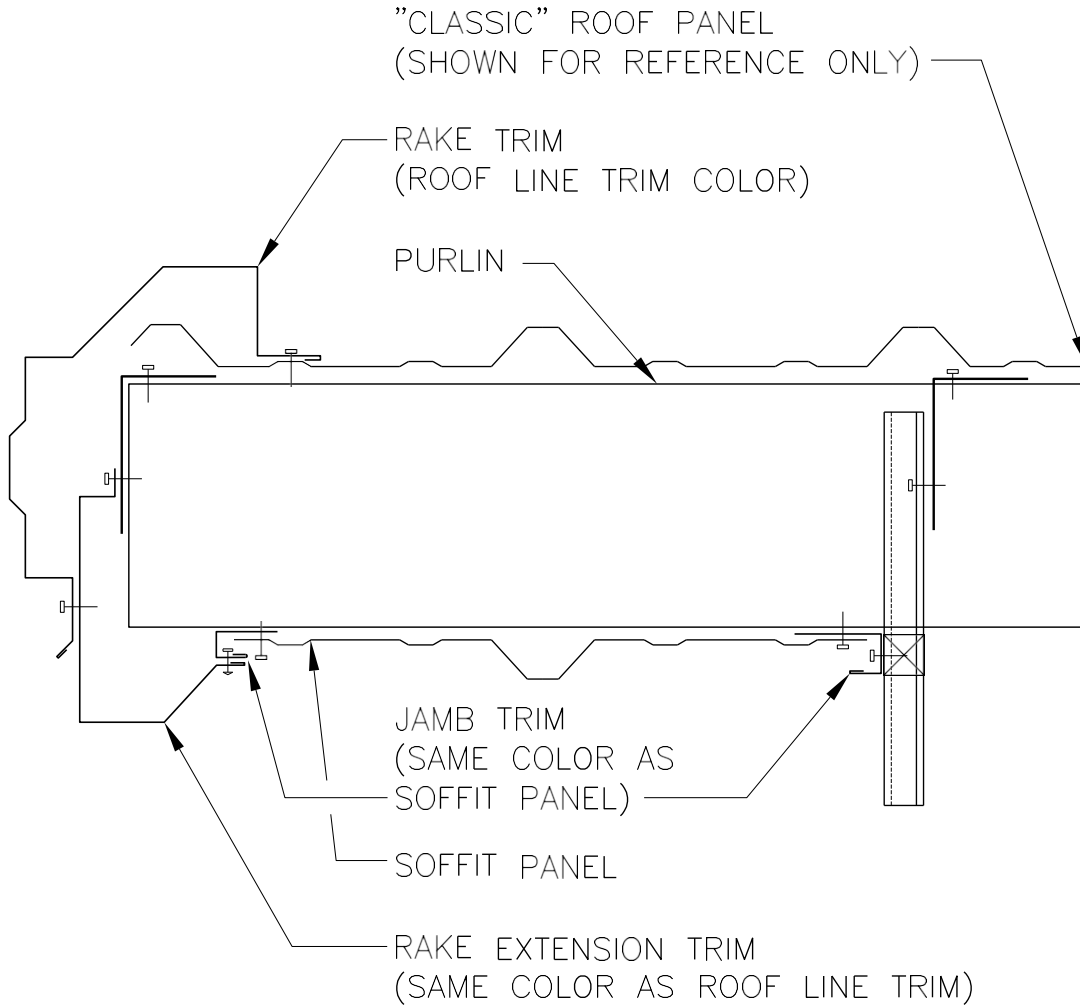
(SOFFIT PANEL COLOR)



STANDARD COLOR DEFINITION FOR RAKE EXTENSIONS

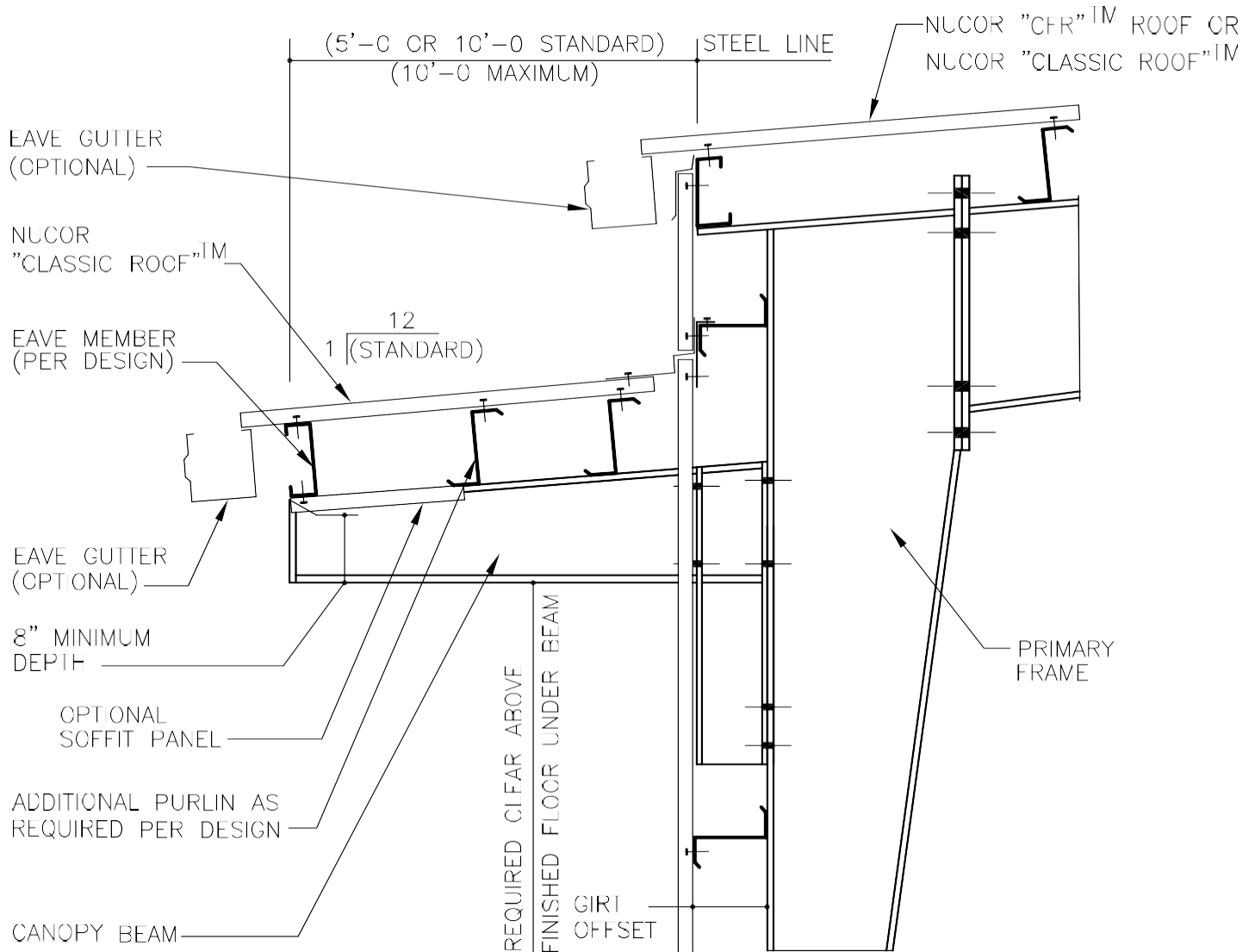
STANDARD COLORS FOR RAKE EXTENSIONS

RAKE EXTENSION.dwg



CANOPY STRUCTURAL DETAILS
BELOW EAVE CANOPY (EXPOSED BEAM)

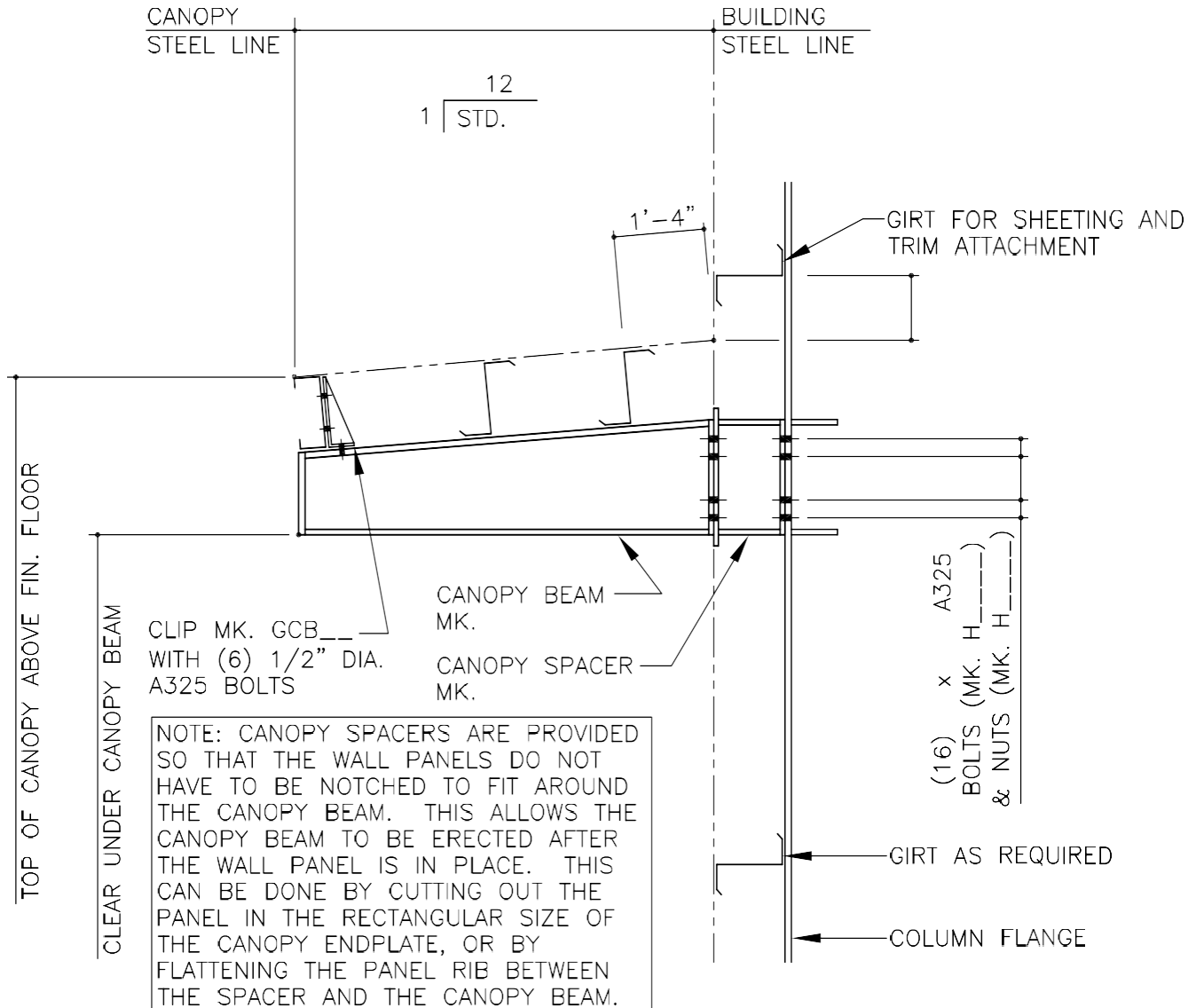
CE0010PE – SHEETING, BYPASS GIRTS



NOTE:

1) OFFSET GIRT CONDITION SHOWN. ALSO AVAILBLE WITH INSET GIRT CONDITION.

AQ0010 – BYPASS GIRTS

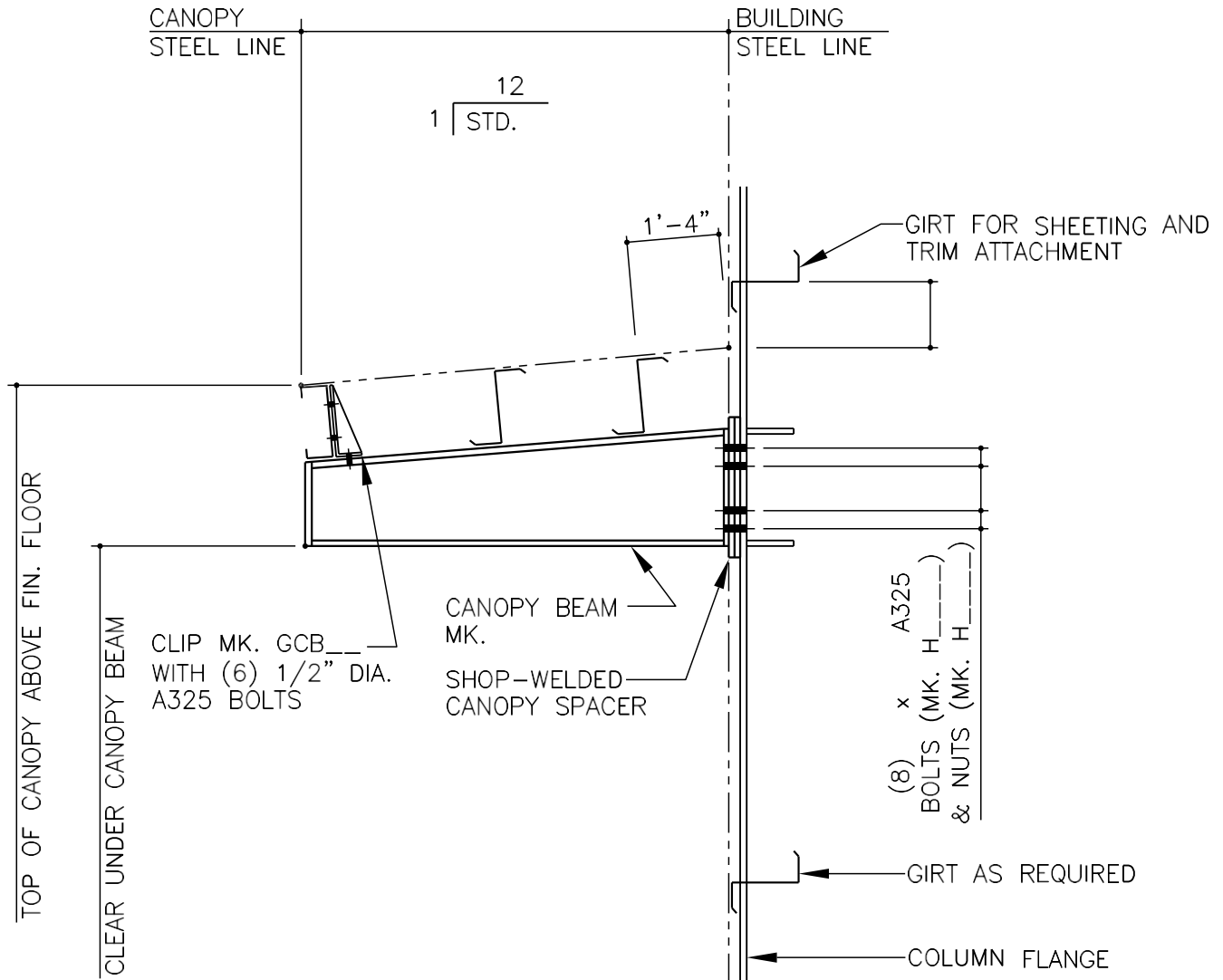


CANOPY STRUCTURAL DETAIL

"BELOW EAVE" WITH BYPASS GIRTS

AQ0010

AQ0020 – INSET GIRTS

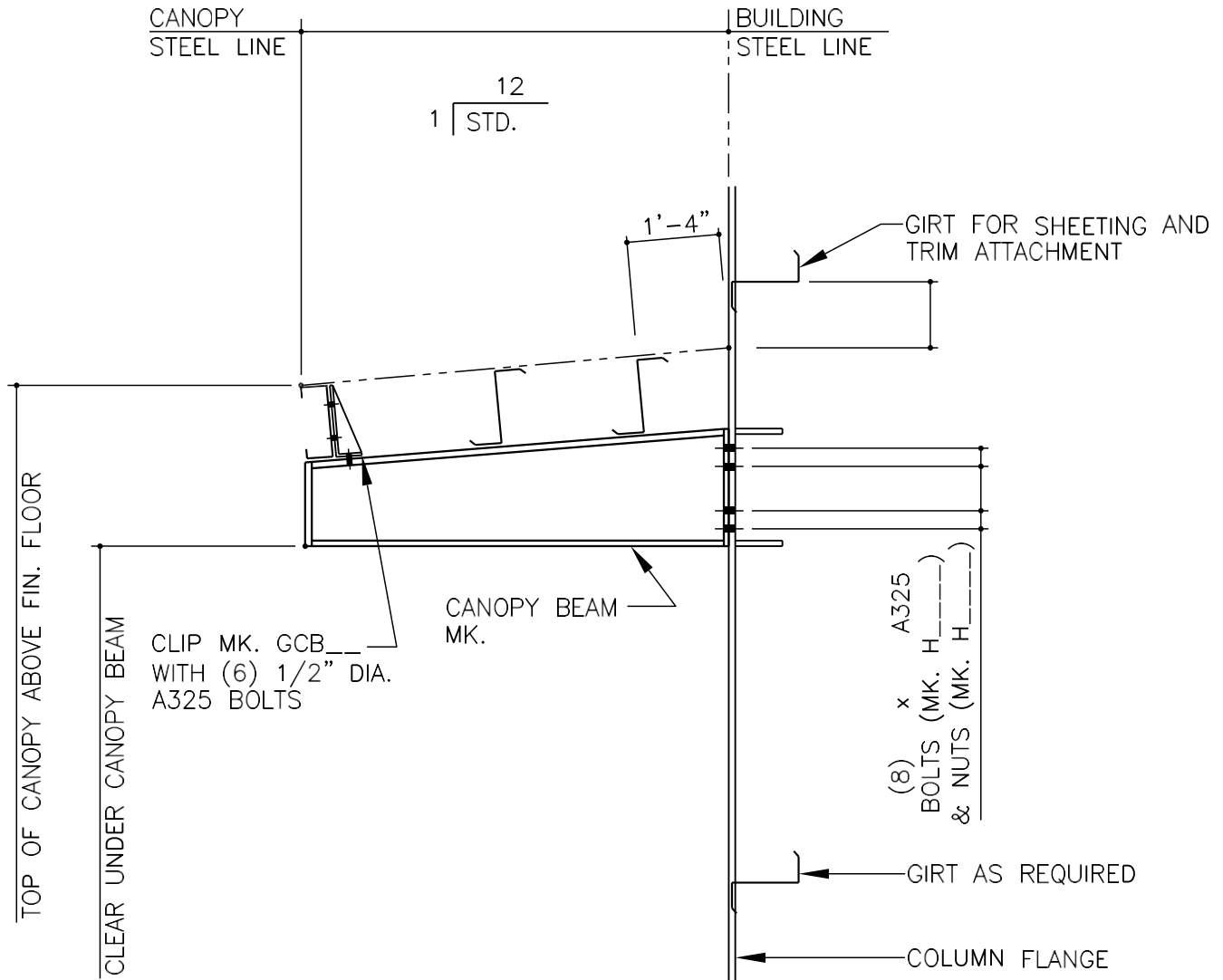


CANOPY STRUCTURAL DETAIL

"BELOW EAVE" WITH INSET GIRTS

AQ0020

AQ0030 – FLUSH GIRTS



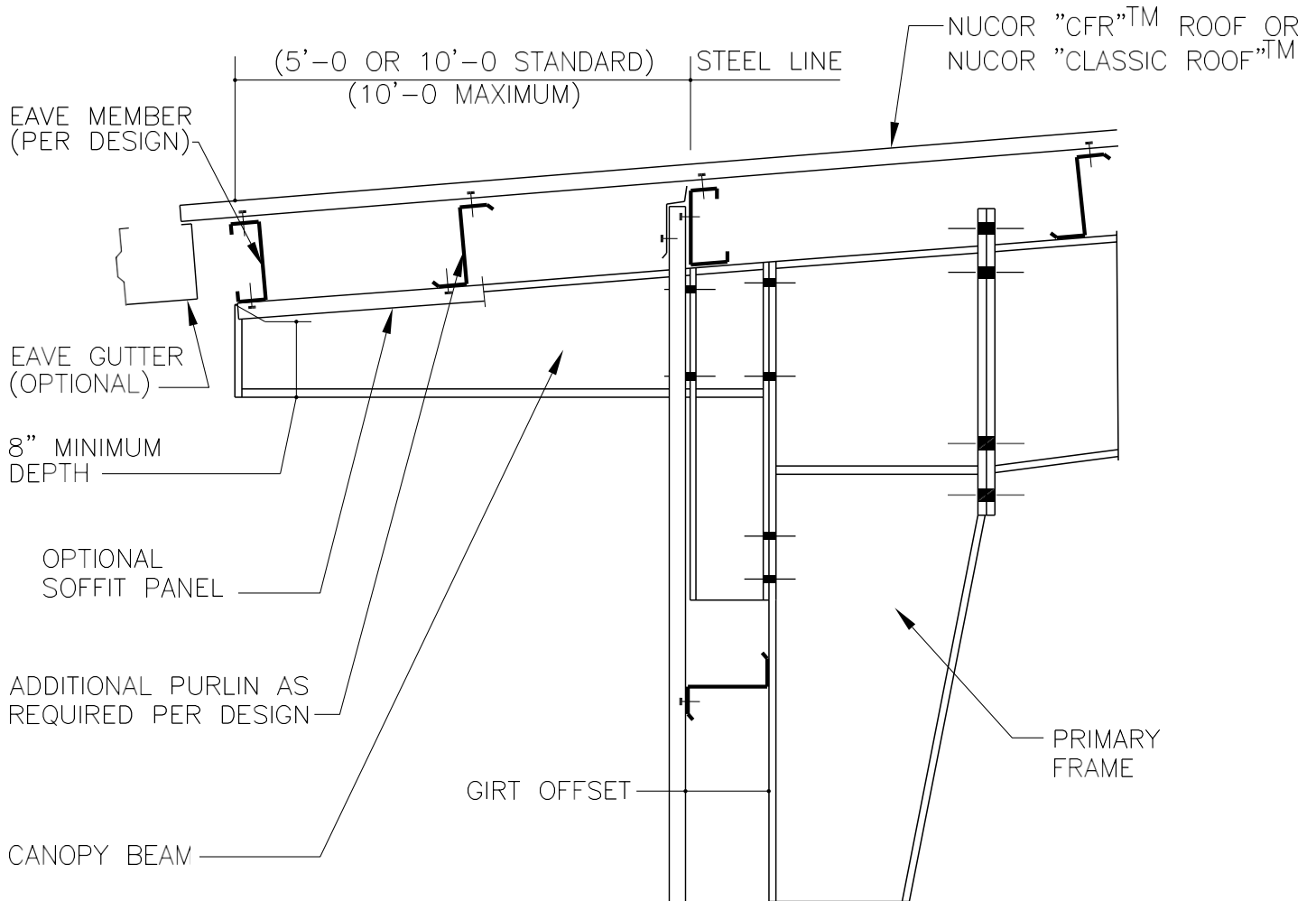
CANOPY STRUCTURAL DETAIL

"BELOW EAVE" WITH FLUSH GIRTS

AQ0020

AT EAVE CANOPY (EXPOSED BEAM)

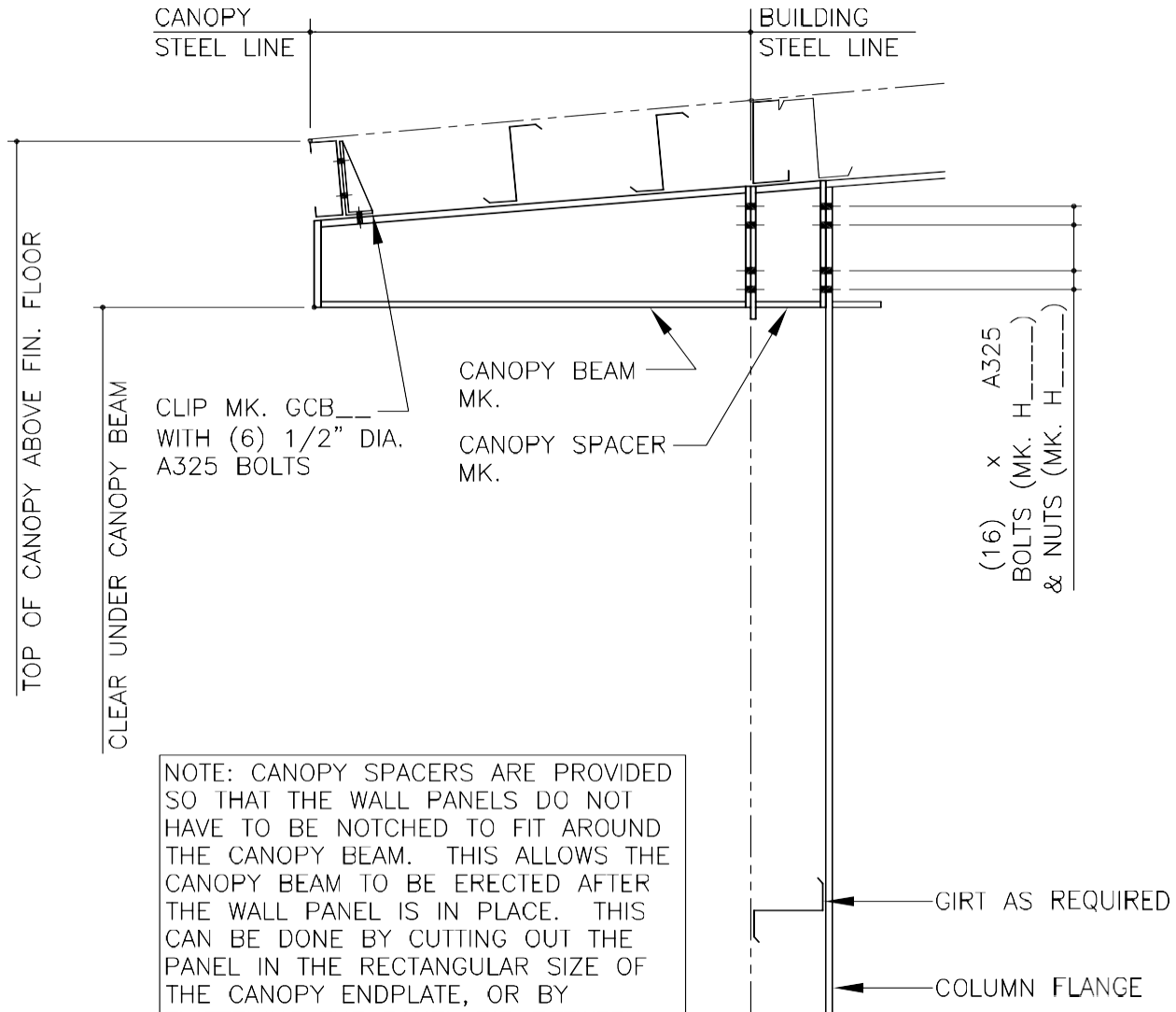
CE0050PE – SHEETING, BYPASS GIRTS



NOTE:

1) OUTSET GIRT CONDITION SHOWN. ALSO AVAILABLE WITH INSET GIRT CONDITION.

AQ0040 – BYPASS GIRTS



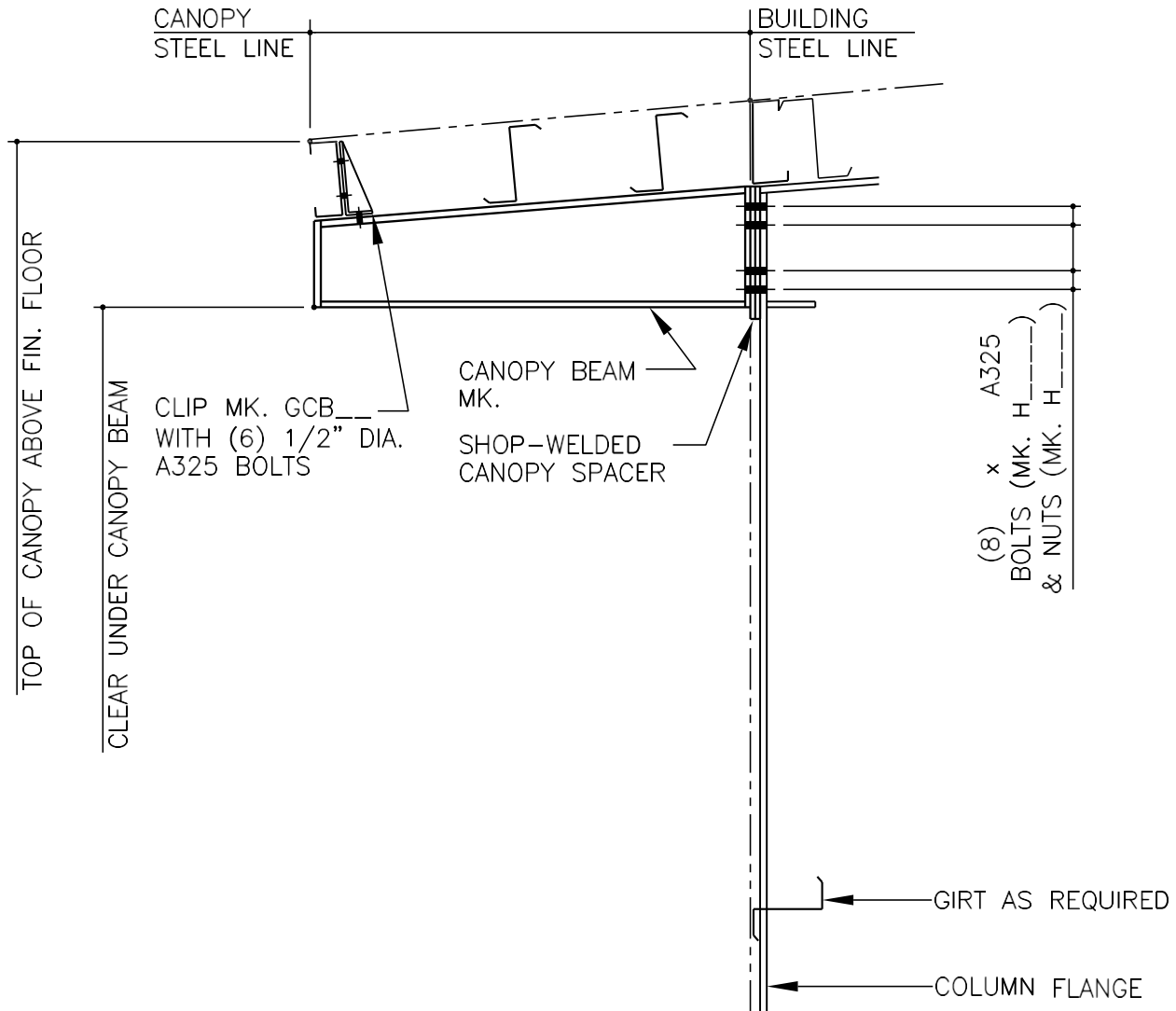
NOTE: CANOPY SPACERS ARE PROVIDED SO THAT THE WALL PANELS DO NOT HAVE TO BE NOTCHED TO FIT AROUND THE CANOPY BEAM. THIS ALLOWS THE CANOPY BEAM TO BE ERECTED AFTER THE WALL PANEL IS IN PLACE. THIS CAN BE DONE BY CUTTING OUT THE PANEL IN THE RECTANGULAR SIZE OF THE CANOPY ENDPLATE, OR BY FLATTENING THE PANEL RIB BETWEEN THE SPACER AND THE CANOPY BEAM.

CANOPY STRUCTURAL DETAIL

"LOW SIDE AT EAVE" WITH BYPASS GIRTS

AQ0040

AQ0050 – INSET GIRTS

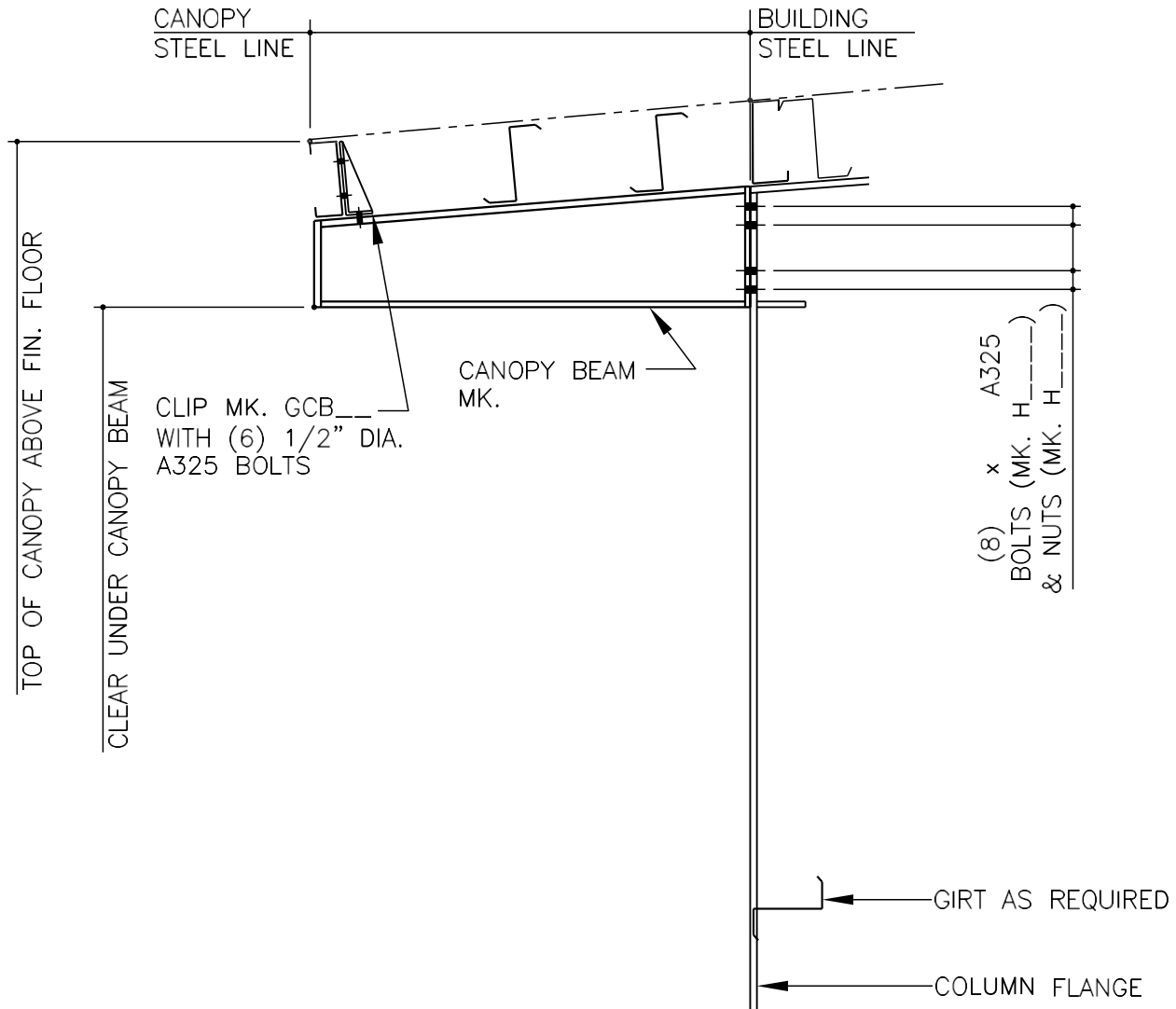


CANOPY STRUCTURAL DETAIL

"LOW SIDE AT EAVE" WITH INSET GIRTS

AQ0050

AQ0060 – FLUSH GIRTS

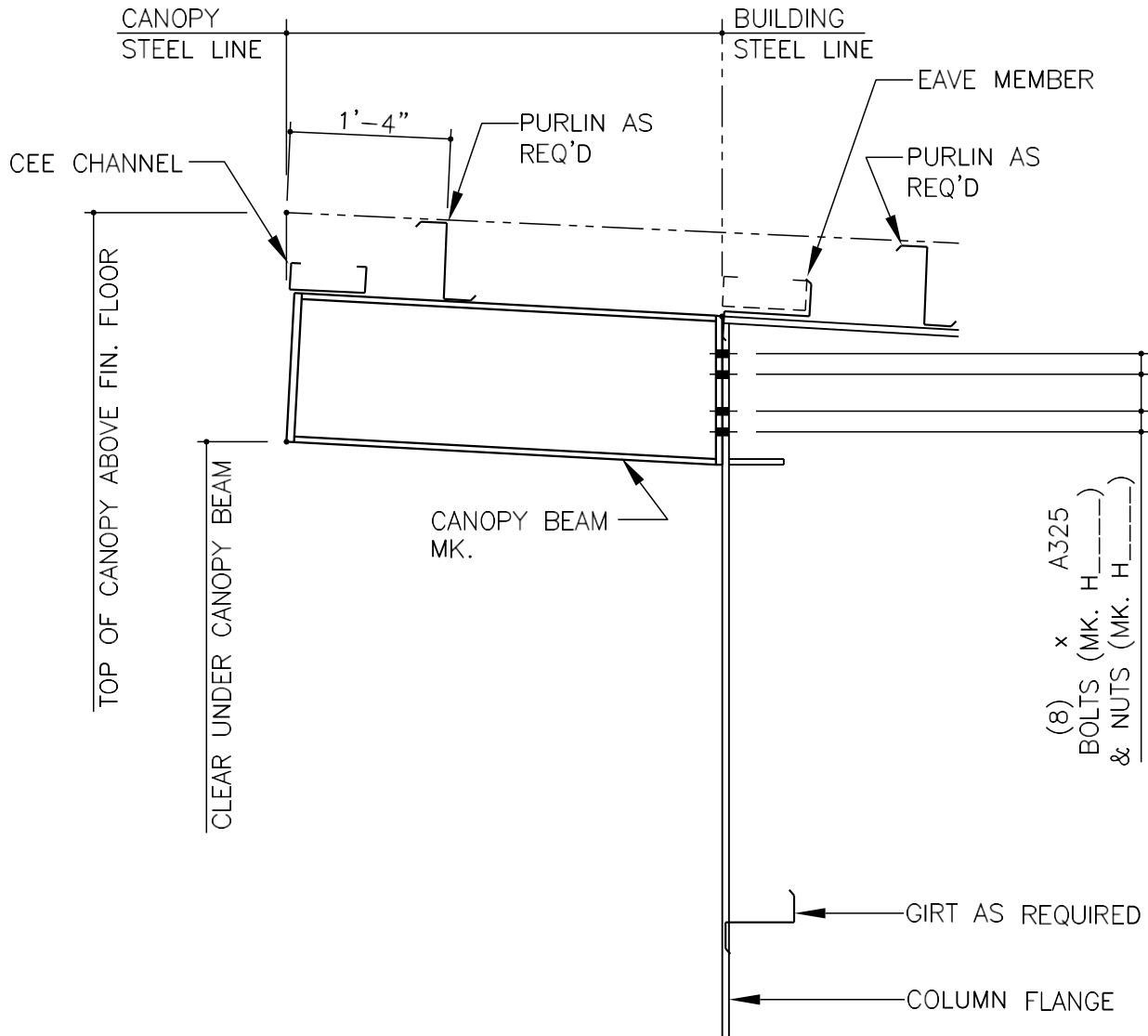


CANOPY STRUCTURAL DETAIL

"LOW SIDE AT EAVE" WITH FLUSH GIRTS

AQ0060

AQ0070 – HIGH SIDE, FLUSH GIRTS



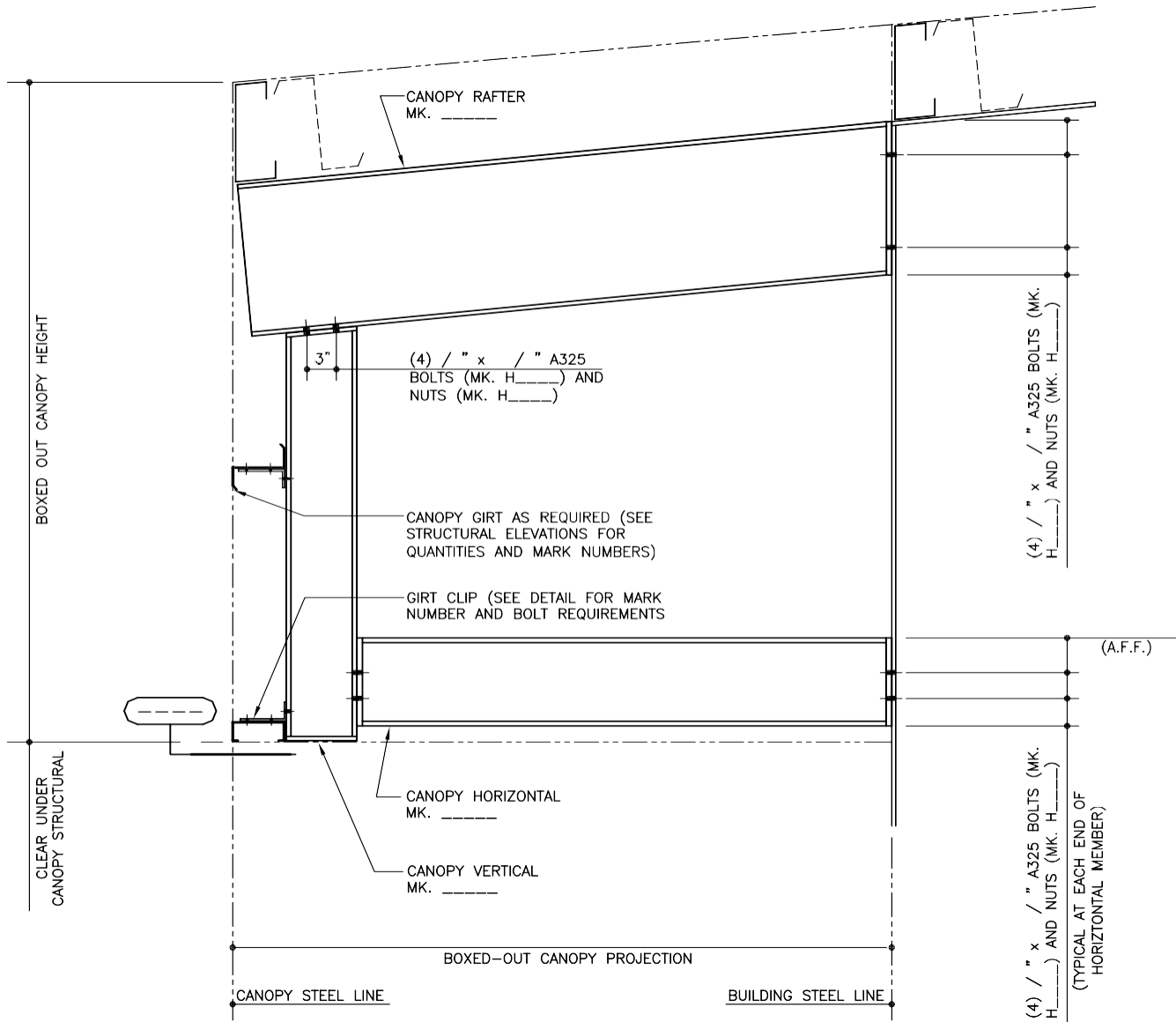
CANOPY STRUCTURAL DETAIL

"HIGH SIDE AT EAVE" WITH FLUSH GIRTS

AQ0070

BOXED-OUT CANOPY STRUCTURAL DETAILS
FLUSH SIDEWALL GIRTS

AQ0110 – LOW EAVE, BUILT-UP



BOXED-OUT CANOPY AT SIDEWALL STRUCTURAL DETAIL
WITH FLUSH GIRTS AT BUILDING STEEL LINE

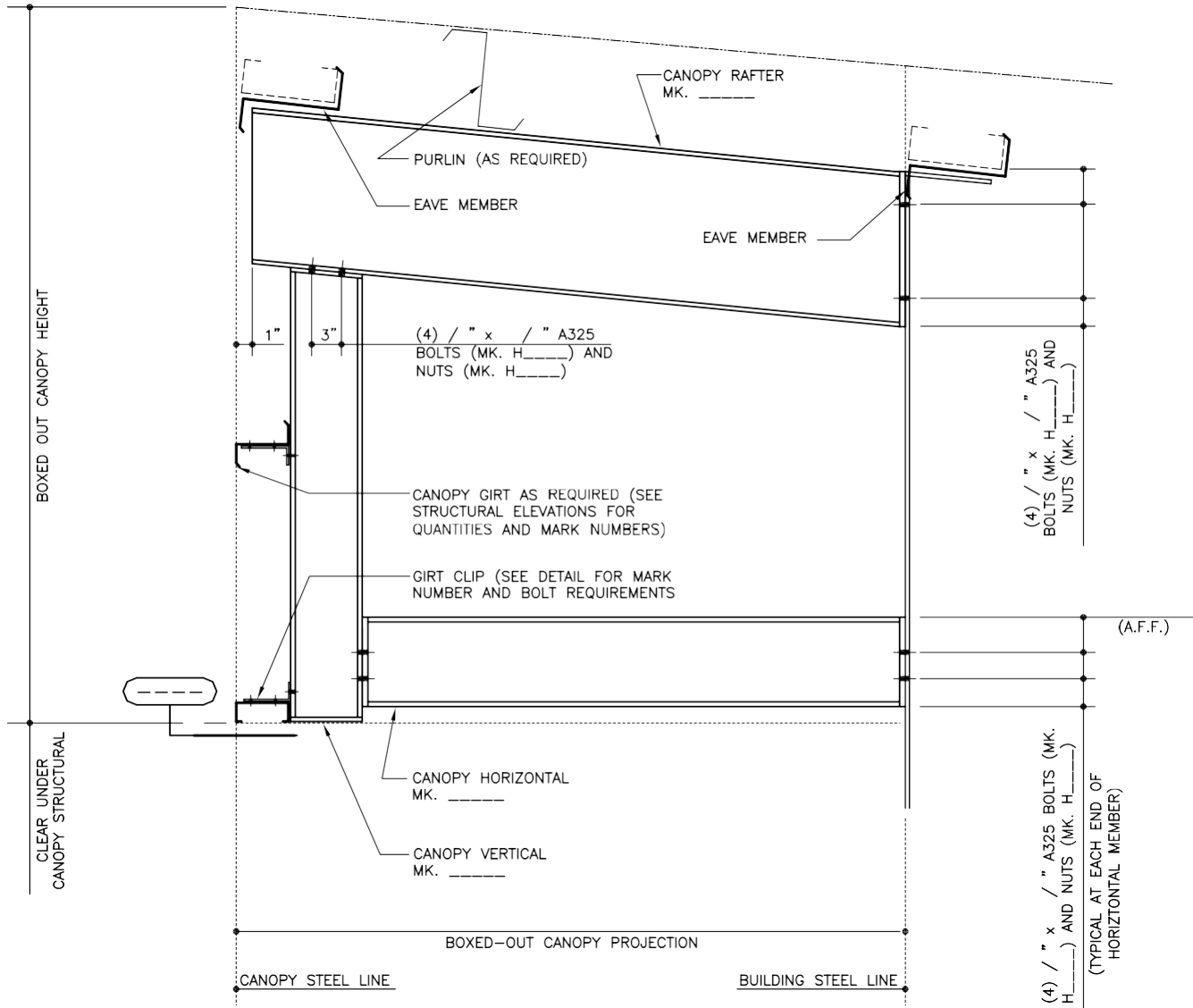
AQ0110

LAST REVISION
DATE: 02/16/15
BY: AK CHK: EGB

DETAIL NAME IF APPLICABLE
AQ0110.DWG

7.2.18

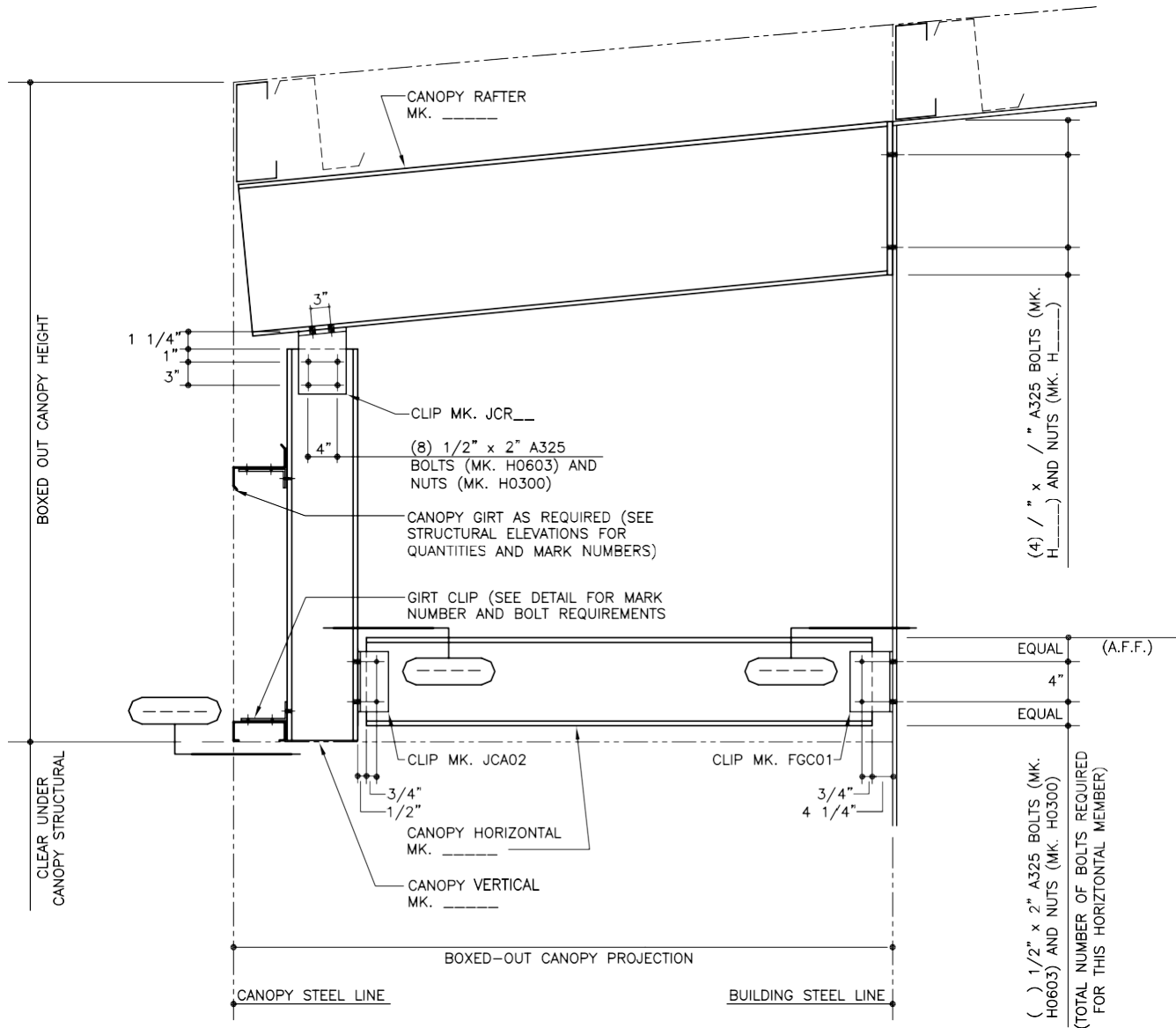
AQ0120 – HIGH EAVE, BUILT-UP



BOXED-OUT CANOPY AT SIDEWALL STRUCTURAL DETAIL
WITH FLUSH GIRTS AT BUILDING STEEL LINE

AQ0120

AQ0130 – LOW EAVE, COLD-FORM

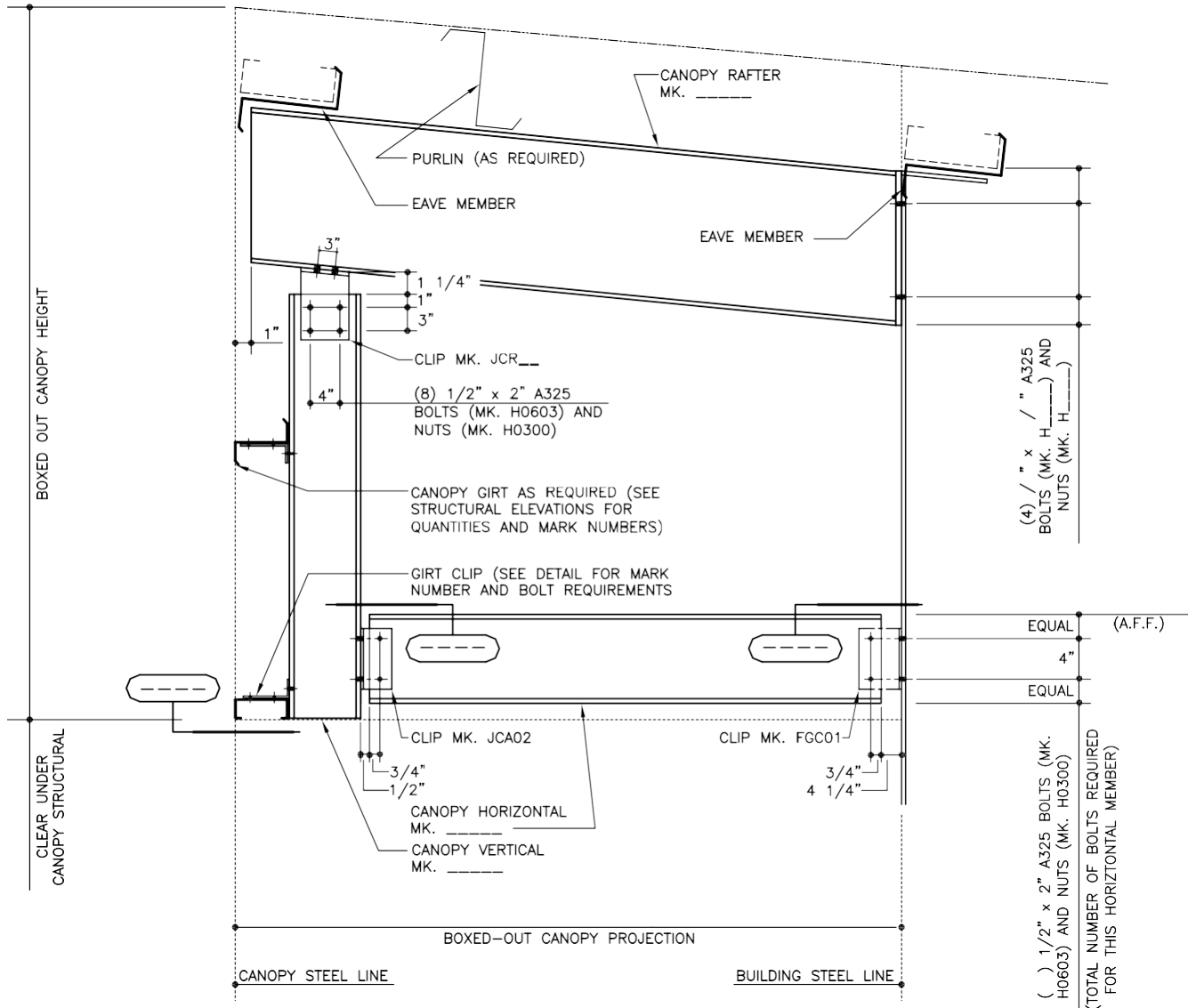


BOXED-OUT CANOPY AT SIDEWALL STRUCTURAL DETAIL

WITH FLUSH GIRTS AT BUILDING STEEL LINE
 REFERENCE ERECTOR NOTE FOR TYPICAL WASHER REQUIREMENTS

AQ0130

AQ0140 – HIGH EAVE, COLD-FORM



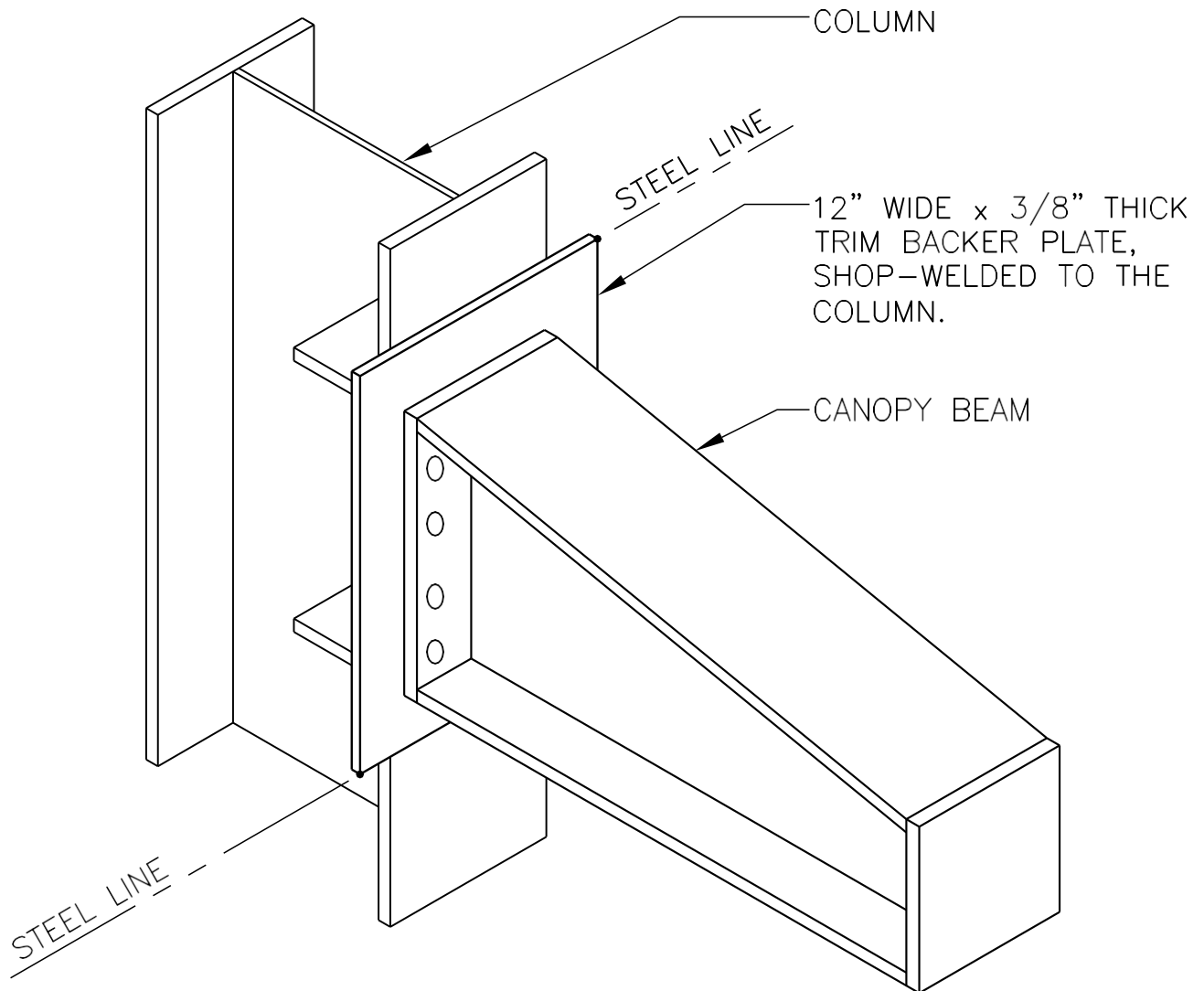
BOXED-OUT CANOPY AT SIDEWALL STRUCTURAL DETAIL

WITH FLUSH GIRTS AT BUILDING STEEL LINE
REFERENCE ERECTOR NOTE FOR TYPICAL WASHER REQUIREMENTS

AQ0140

INSET SIDEWALL GIRTS

AQ0200 – BEAM SPACER DETAIL

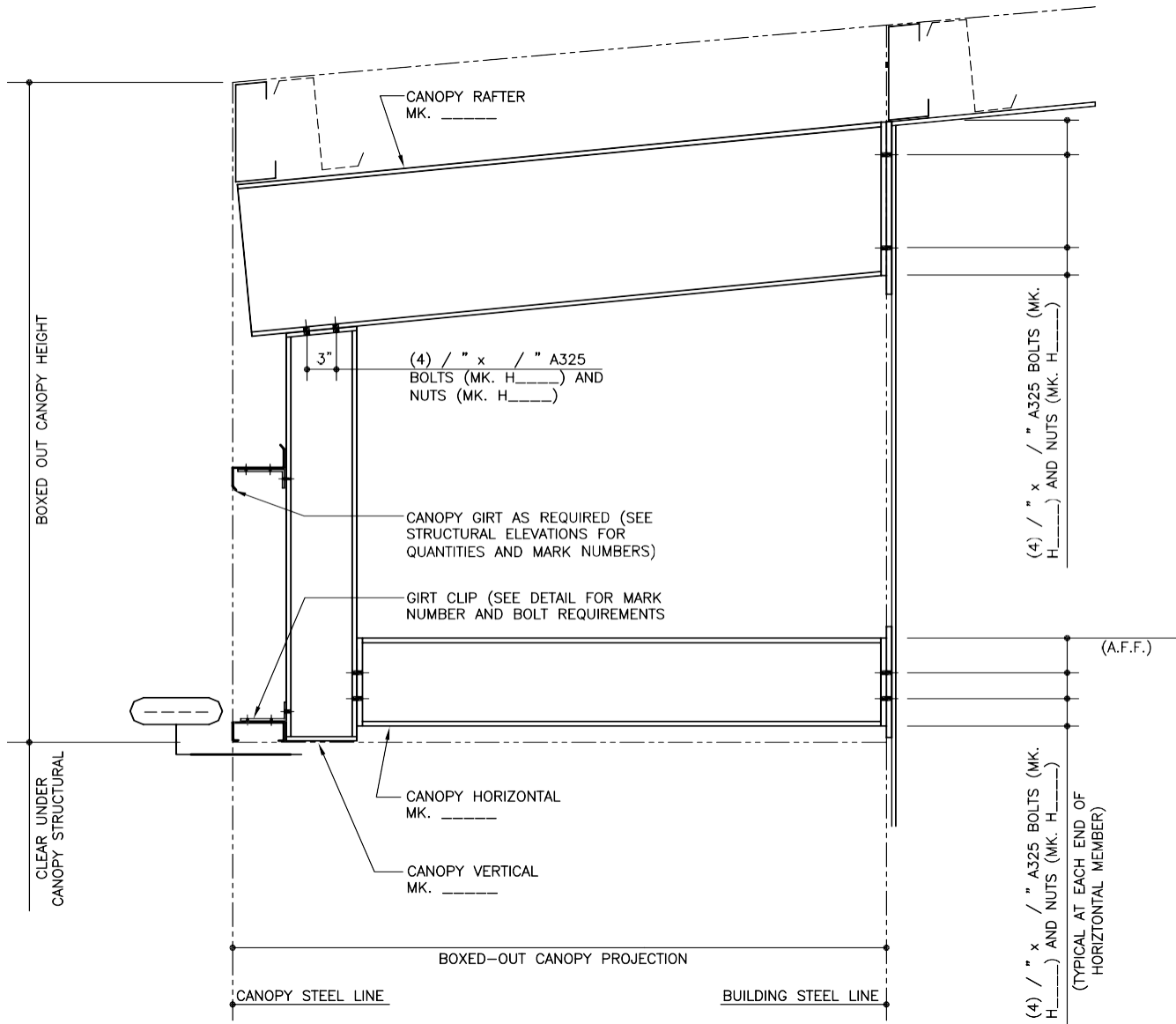


CANOPY ISOMETRIC VIEW DETAIL

INSET GIRTS

AQ0200

AQ0210 – LOW EAVE, BUILT-UP

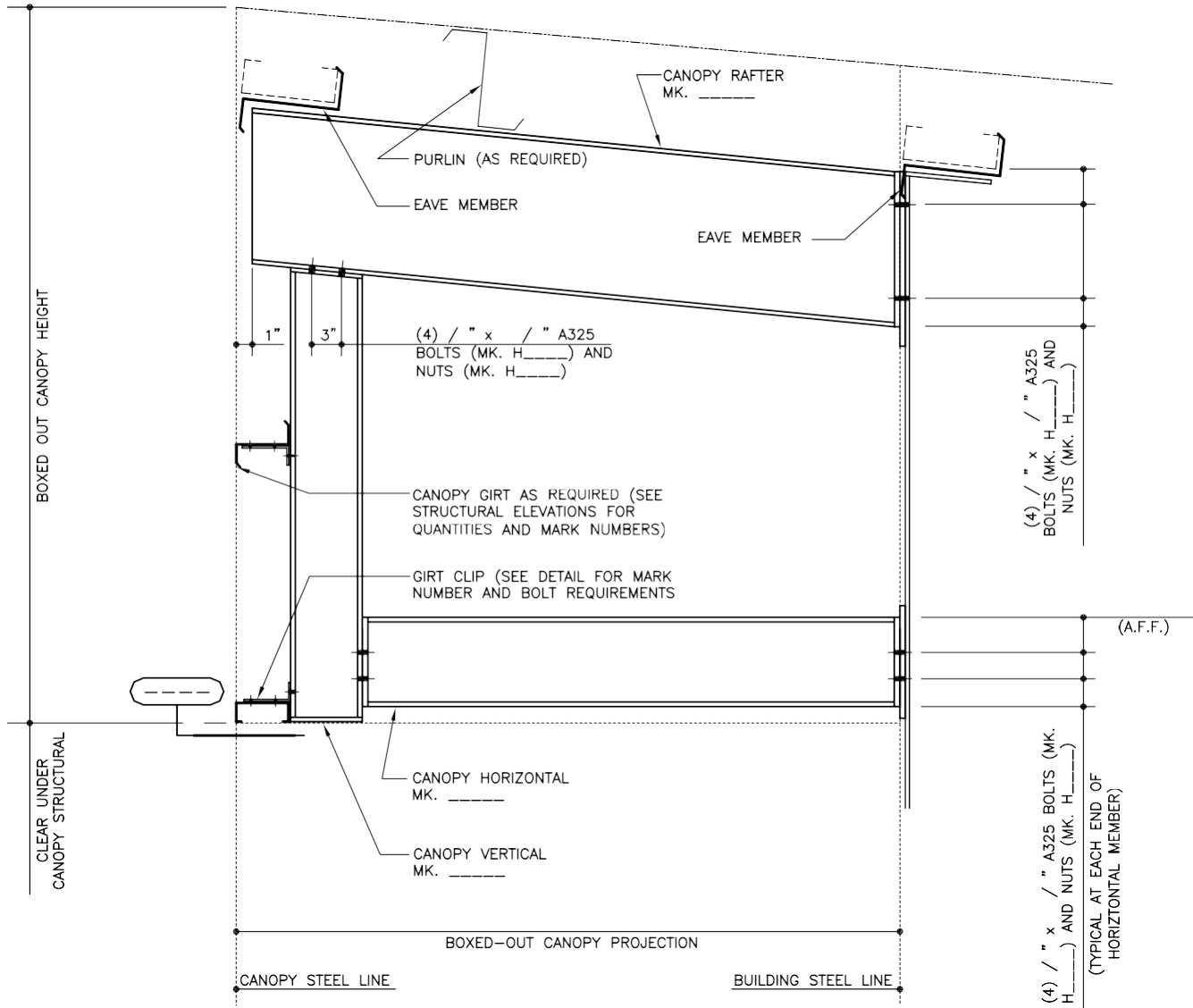


BOXED-OUT CANOPY AT SIDEWALL STRUCTURAL DETAIL

WITH INSET GIRTS AT BUILDING STEEL LINE

AQ0210

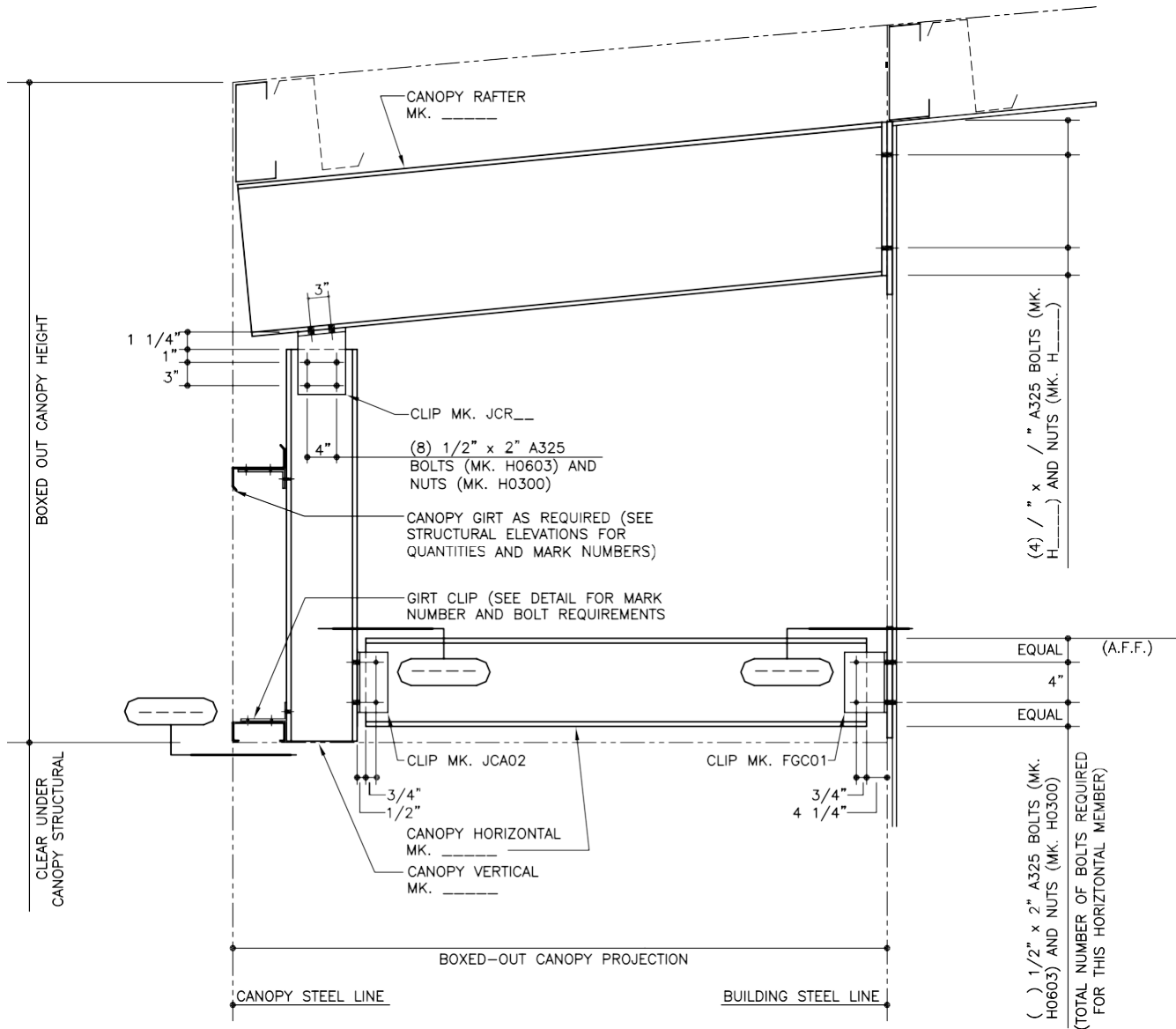
AQ0220 – HIGH EAVE, BUILT-UP



BOXED-OUT CANOPY AT SIDEWALL STRUCTURAL DETAIL
WITH INSET GIRTS AT BUILDING STEEL LINE

AQ0220

AQ0230 – LOW EAVE, COLD-FORM

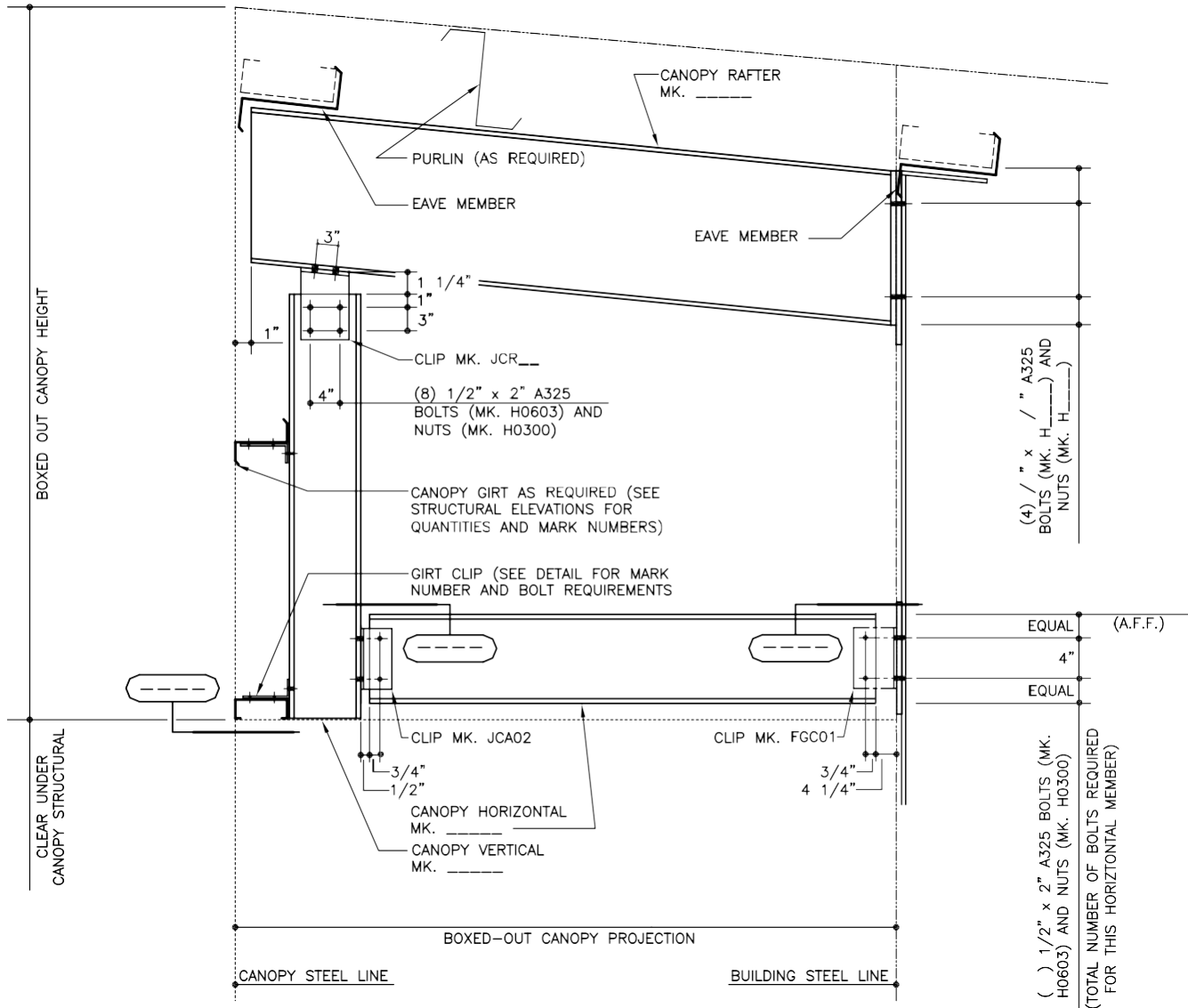


BOXED-OUT CANOPY AT SIDEWALL STRUCTURAL DETAIL

WITH INSET GIRTS AT BUILDING STEEL LINE
REFERENCE ERECTOR NOTE FOR TYPICAL WASHER REQUIREMENTS

AQ0230

AQ0240 – HIGH EAVE, COLD-FORM



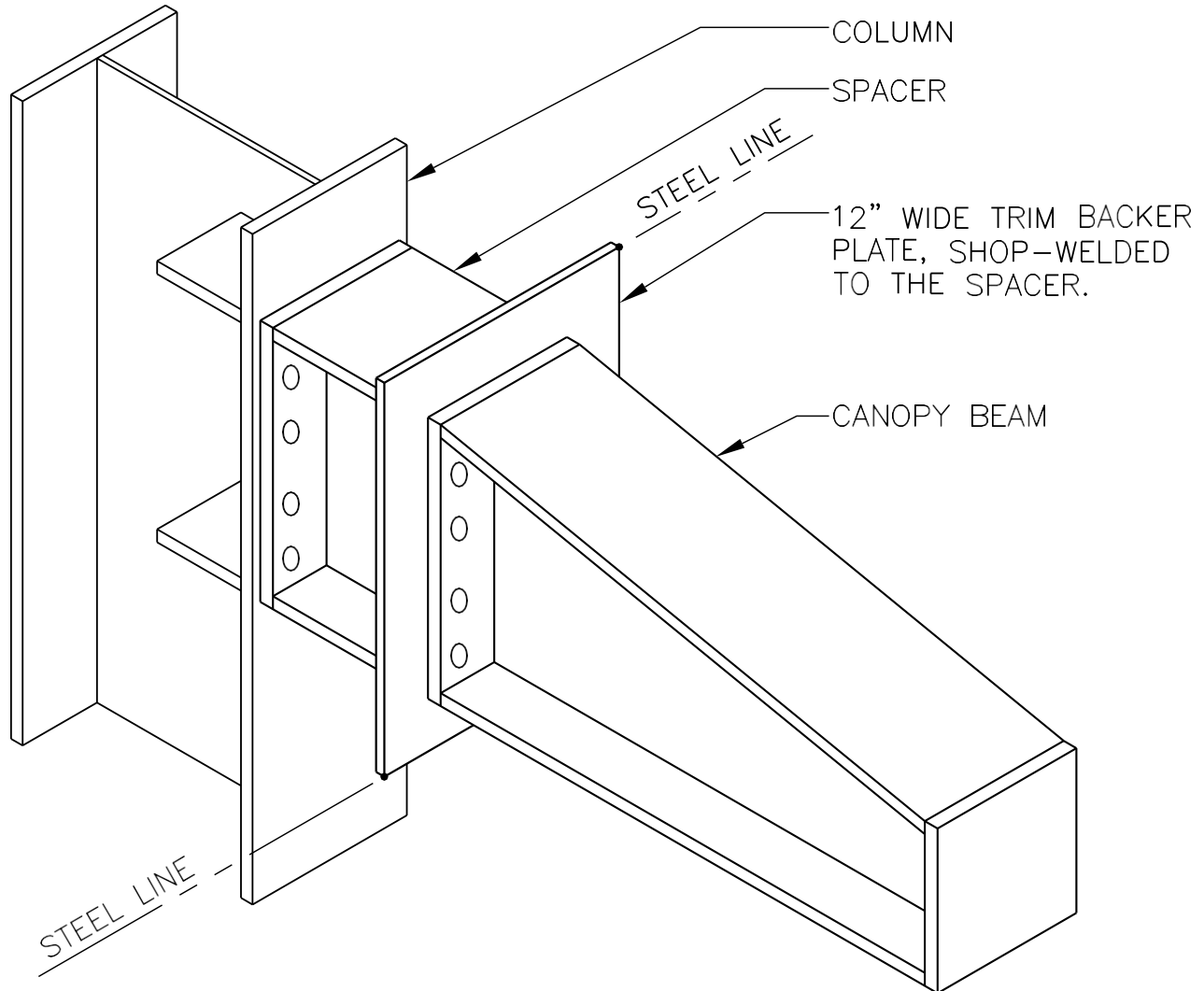
BOXED-OUT CANOPY AT SIDEWALL STRUCTURAL DETAIL

WITH INSET GIRTS AT BUILDING STEEL LINE
REFERENCE ERECTOR NOTE FOR TYPICAL WASHER REQUIREMENTS

AQ0240

BYPASS SIDEWALL GIRTS

AQ0300 – BEAM SPACER DETAIL

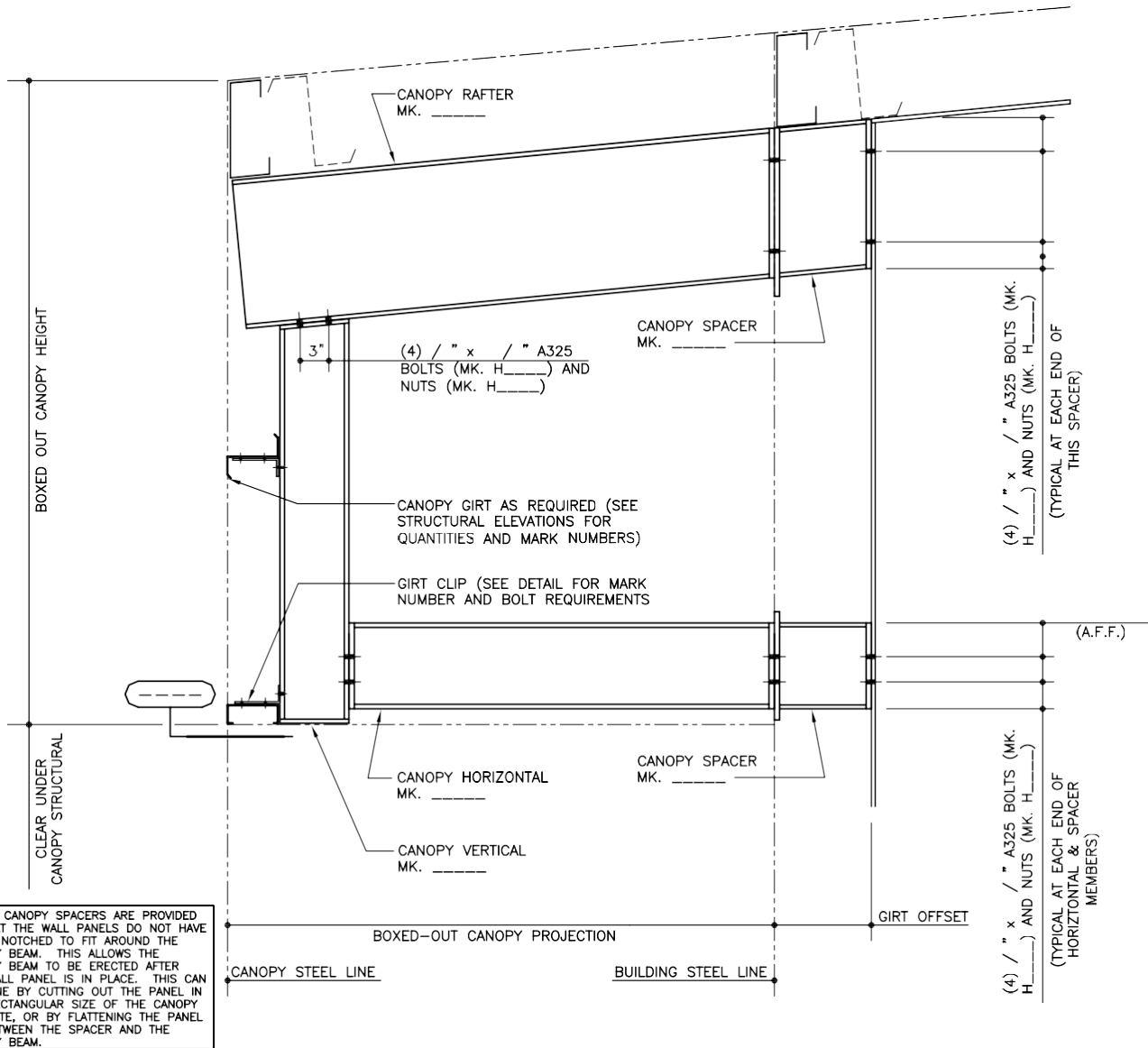


CANOPY ISOMETRIC VIEW DETAIL

BYPASS GIRTS

AQ0300

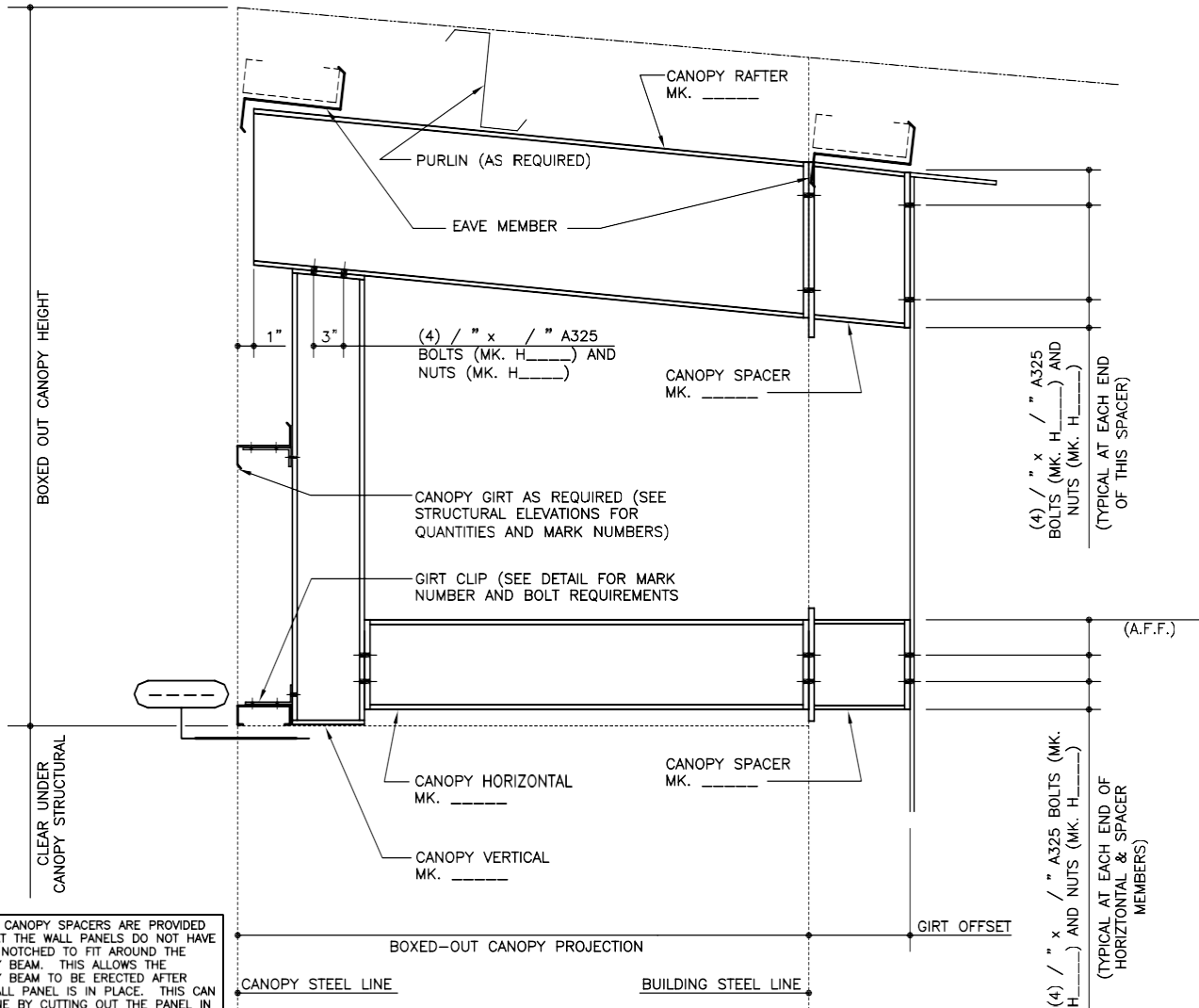
AQ0310 – LOW EAVE, BUILT-UP



BOXED-OUT CANOPY AT SIDEWALL STRUCTURAL DETAIL
WITH BYPASS GIRTS AT BUILDING STEEL LINE

AQ0310

AQ0320 – HIGH EAVE, BUILT-UP



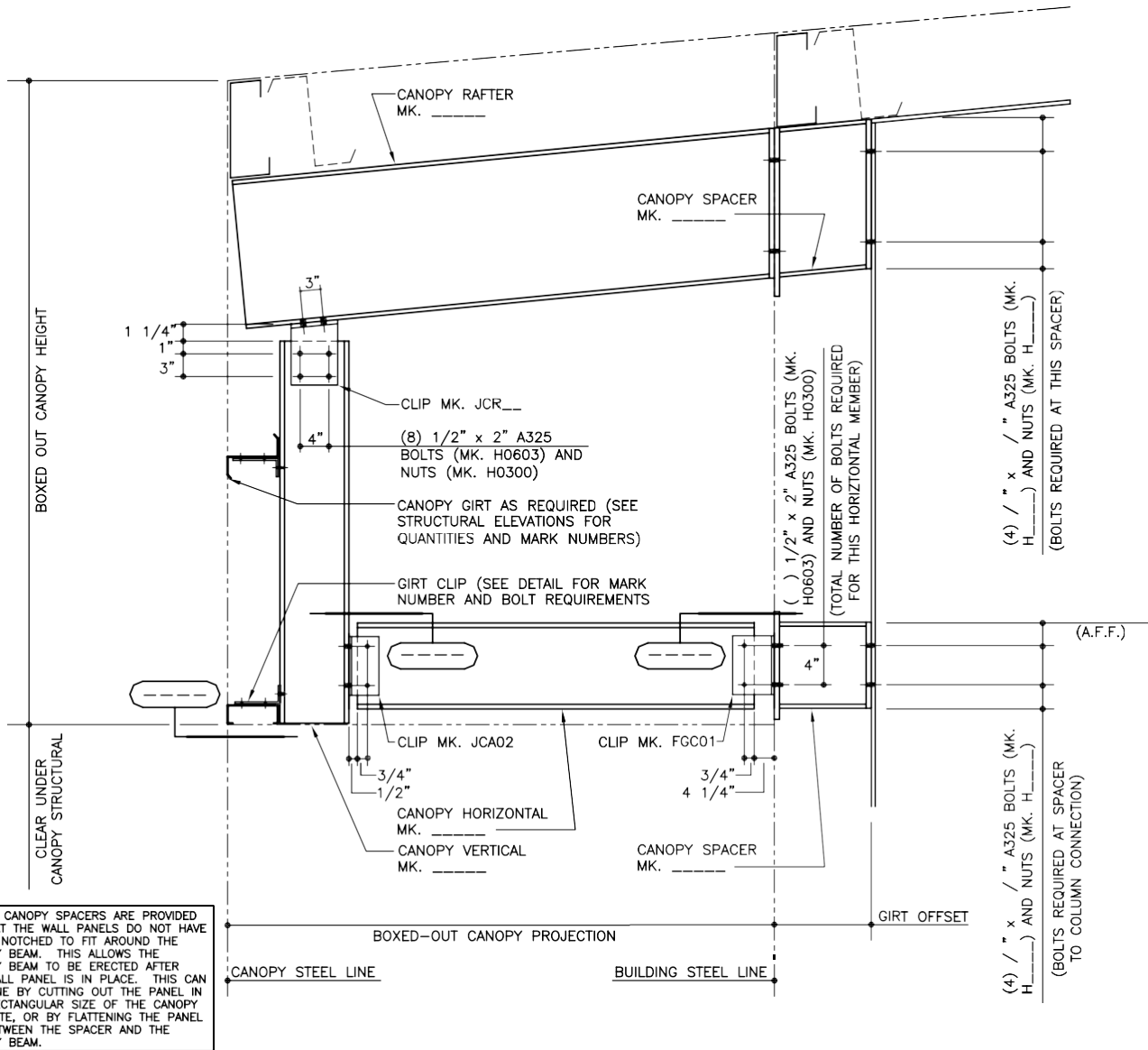
NOTE: CANOPY SPACERS ARE PROVIDED SO THAT THE WALL PANELS DO NOT HAVE TO BE NOTCHED TO FIT AROUND THE CANOPY BEAM. THIS ALLOWS THE CANOPY BEAM TO BE ERRECTED AFTER THE WALL PANEL IS IN PLACE. THIS CAN BE DONE BY CUTTING OUT THE PANEL IN THE RECTANGULAR SIZE OF THE CANOPY ENDPLATE, OR BY FLATTENING THE PANEL RIB BETWEEN THE SPACER AND THE CANOPY BEAM.

BOXED-OUT CANOPY AT SIDEWALL STRUCTURAL DETAIL

WITH BYPASS GIRTS AT BUILDING STEEL LINE

AQ0320

AQ0330 – LOW EAVE, COLD-FORM

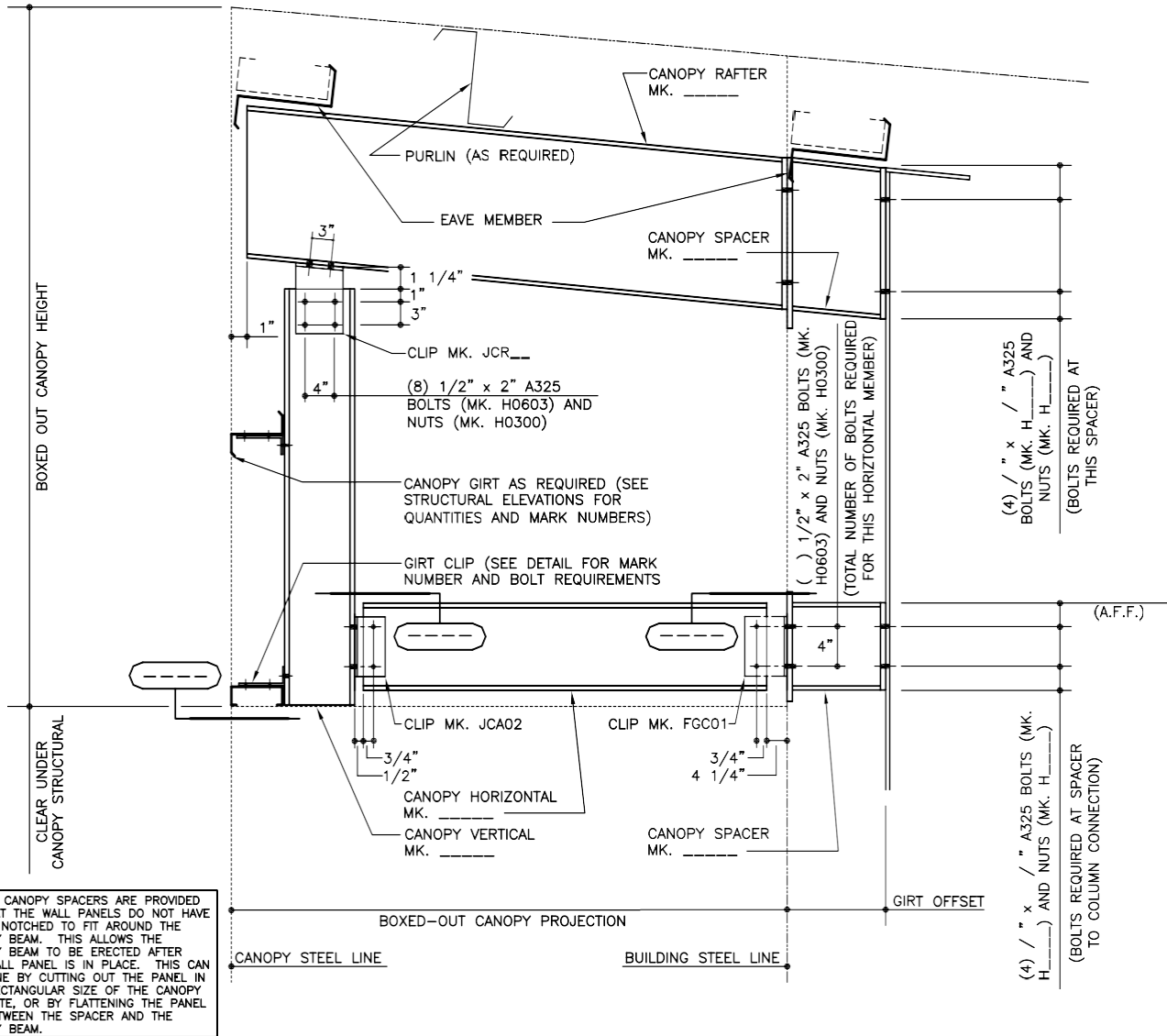


BOXED-OUT CANOPY AT SIDEWALL STRUCTURAL DETAIL

WITH BYPASS GIRTS AT BUILDING STEEL LINE
REFERENCE ERECTOR NOTE FOR TYPICAL WASHER REQUIREMENTS

AQ0330

AQ0340 – HIGH EAVE, COLD-FORM



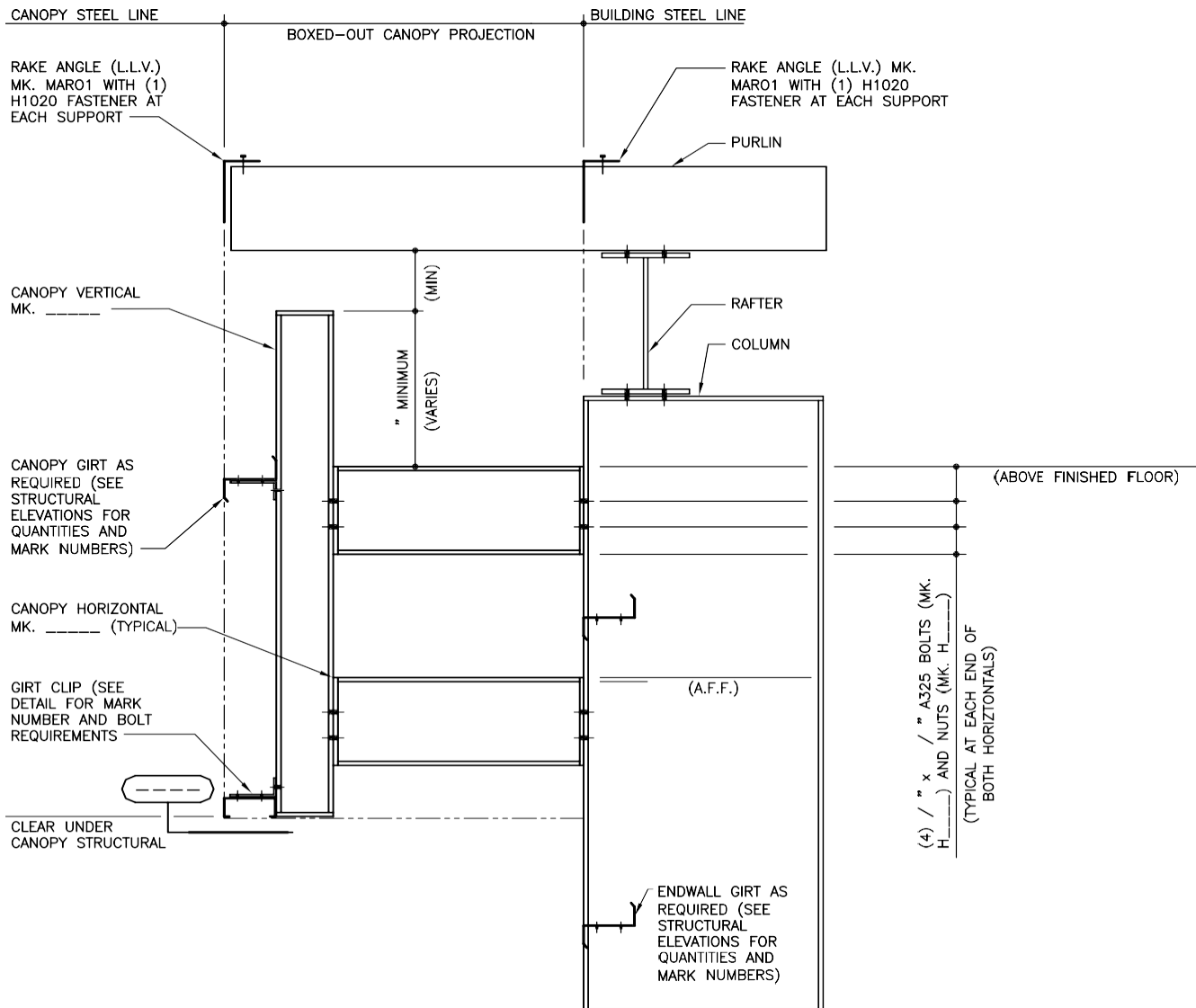
BOXED-OUT CANOPY AT SIDEWALL STRUCTURAL DETAIL

WITH BYPASS GIRTS AT BUILDING STEEL LINE
REFERENCE ERECTOR NOTE FOR TYPICAL WASHER REQUIREMENTS

AQ0340

POST AND BEAM ENDWALL

AQ0410 – FLUSH

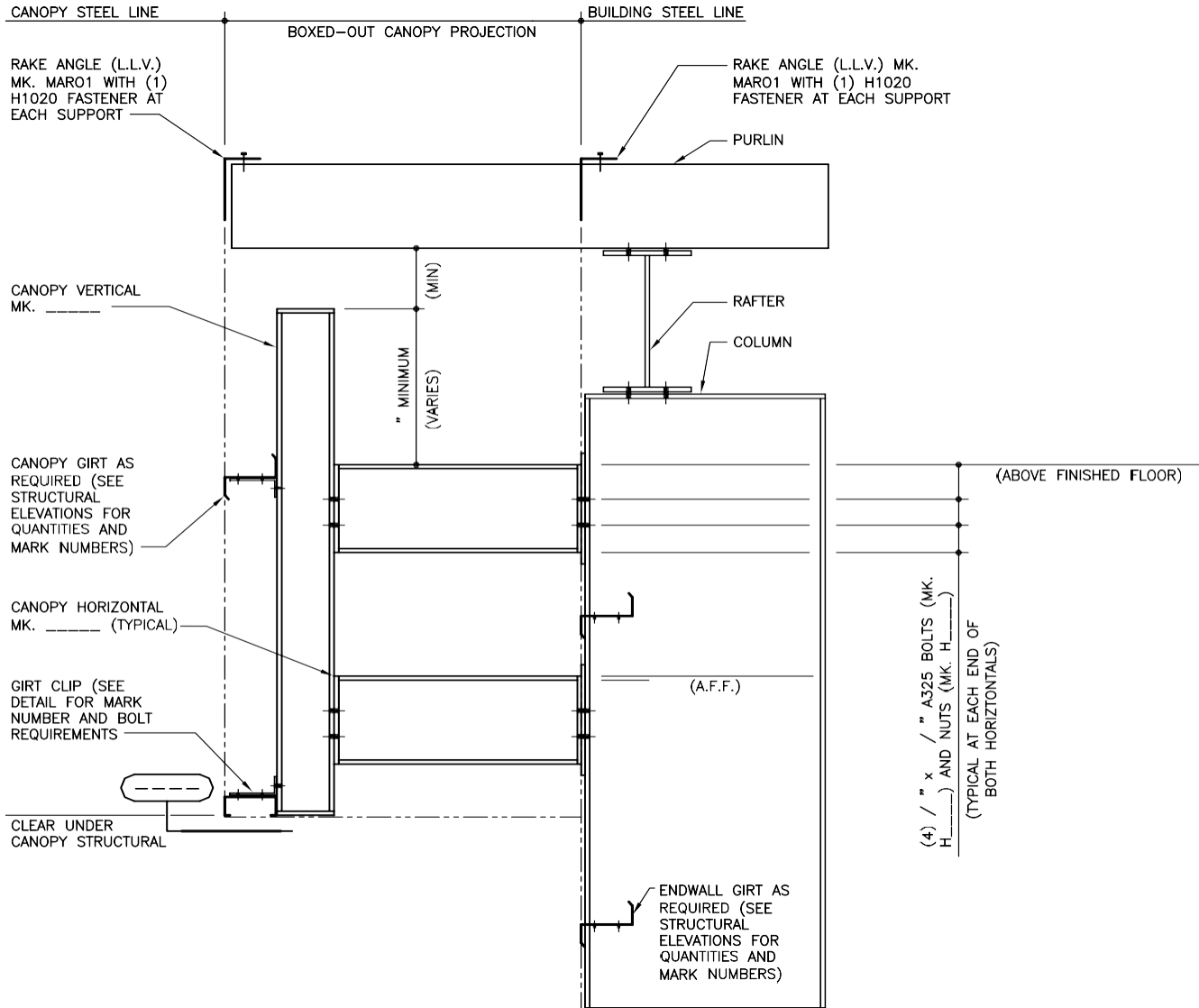


BOXED-OUT CANOPY AT ENDWALL STRUCTURAL DETAIL

WITH FLUSH GIRTS AT BUILDING STEEL LINE

AQ0410

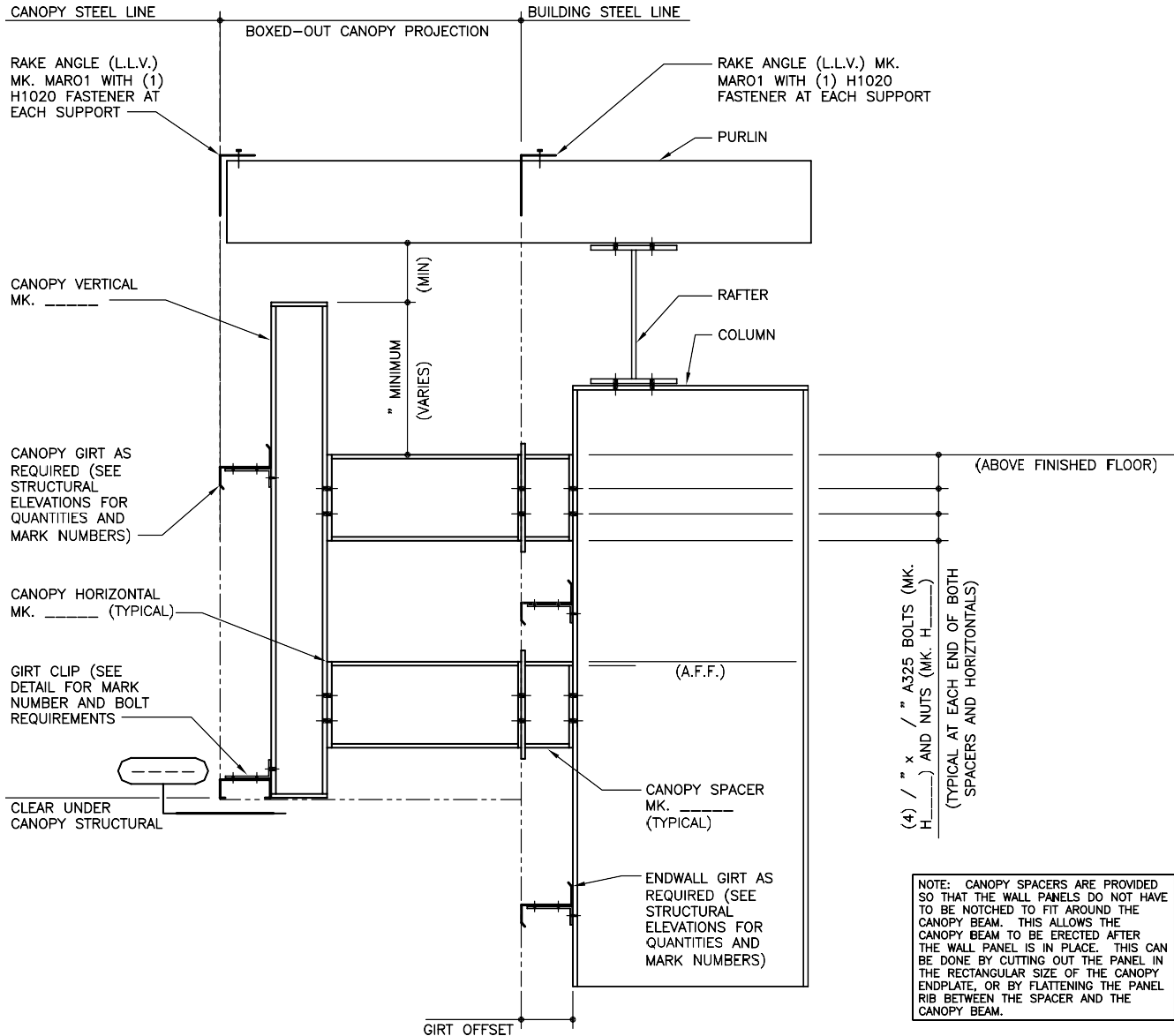
AQ0420 – INSET



BOXED-OUT CANOPY AT ENDWALL STRUCTURAL DETAIL
WITH INSET GIRTS AT BUILDING STEEL LINE

AQ0420

AQ0430 – BYPASS

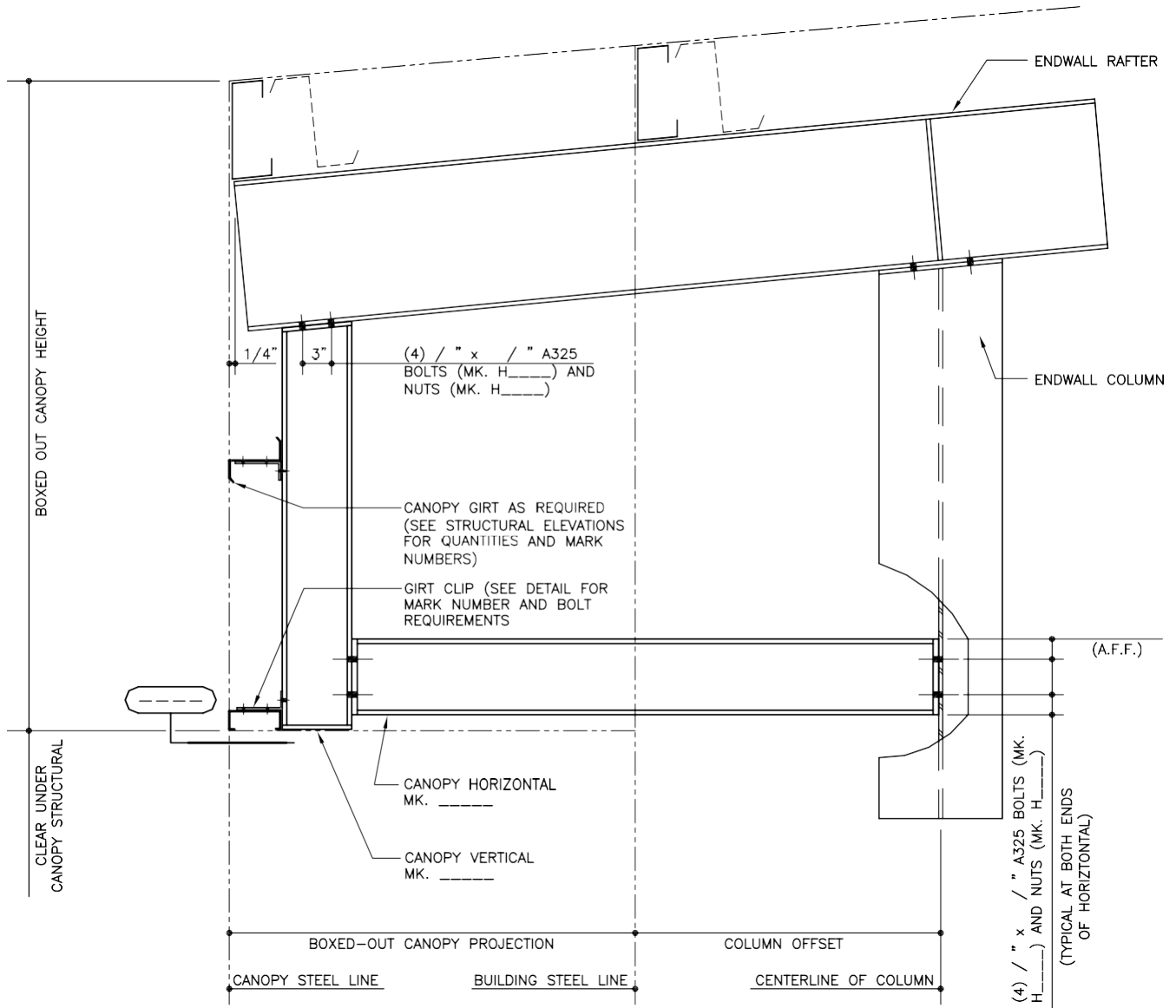


NOTE: CANOPY SPACERS ARE PROVIDED SO THAT THE WALL PANELS DO NOT HAVE TO BE NOTCHED TO FIT AROUND THE CANOPY BEAM. THIS ALLOWS THE CANOPY BEAM TO BE ERECTED AFTER THE WALL PANEL IS IN PLACE. THIS CAN BE DONE BY CUTTING OUT THE PANEL IN THE RECTANGULAR SIZE OF THE CANOPY ENDPLATE, OR BY FLATTENING THE PANEL RIB BETWEEN THE SPACER AND THE CANOPY BEAM.

BOXED-OUT CANOPY AT ENDWALL STRUCTURAL DETAIL
WITH BYPASS GIRTS AT BUILDING STEEL LINE

AQ0430

AQ0440 – RAFTER, LOW EAVE, - BUILT-UP

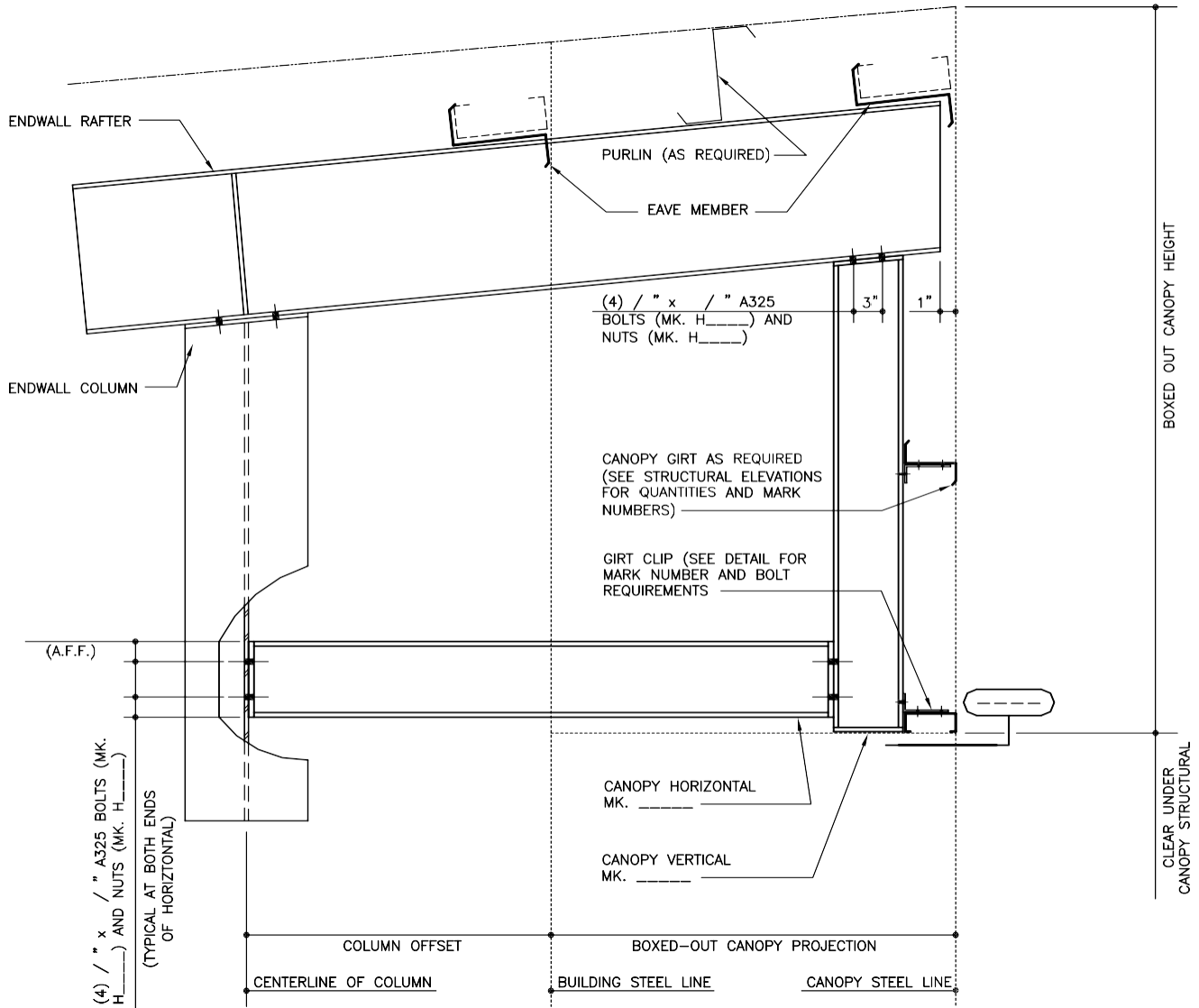


BOXED-OUT CANOPY AT SIDEWALL STRUCTURAL DETAIL

AT POST & BEAM ENDWALL FRAME - LOW EAVE

AQ0440

AQ0450 – RAFTER, HIGH EAVE, - BUILT-UP

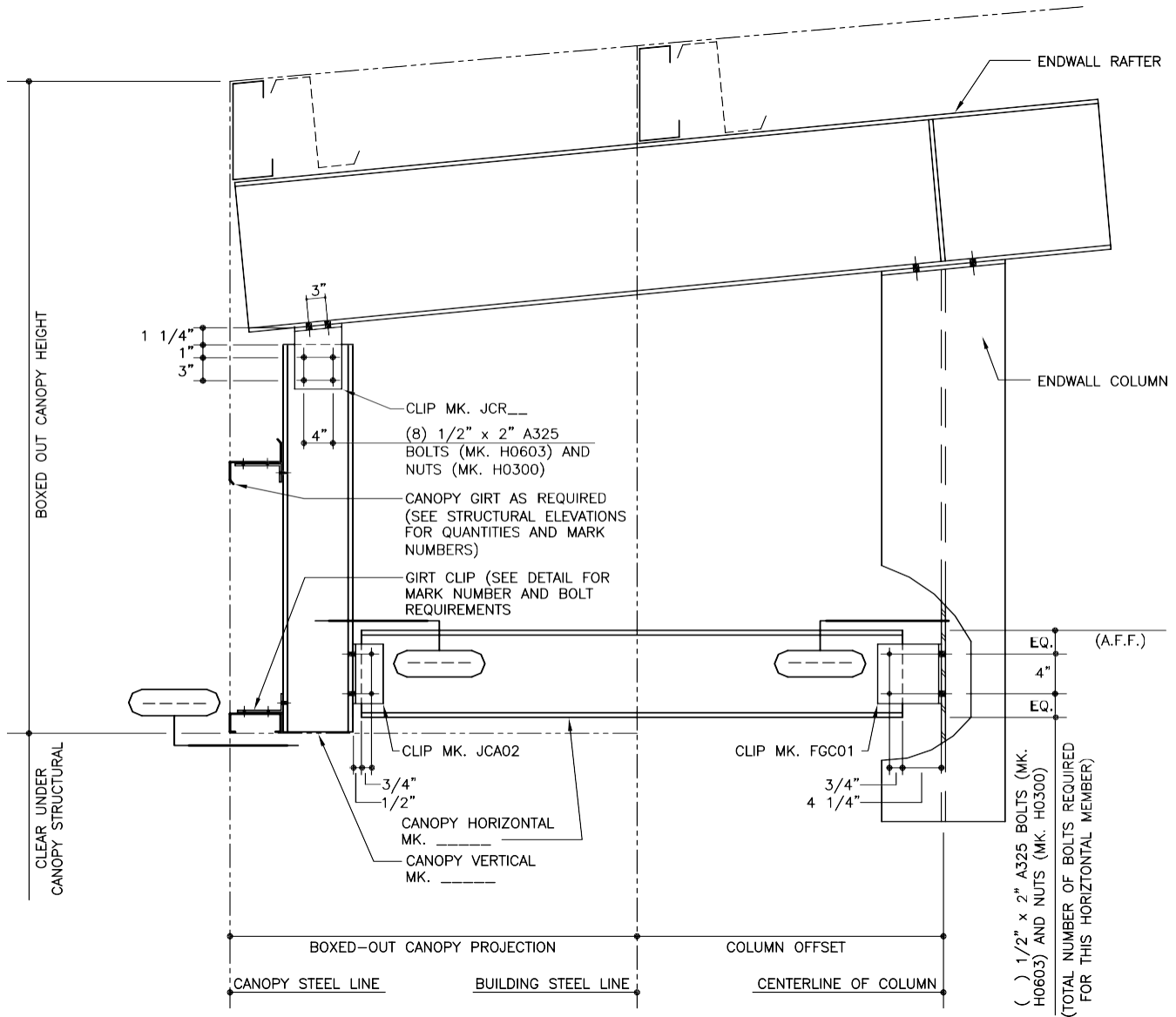


BOXED-OUT CANOPY AT SIDEWALL STRUCTURAL DETAIL

AT POST & BEAM ENDWALL FRAME – HIGH EAVE

AQ0450

AQ0460 – RAFTER, LOW EAVE, - COLD-FORM

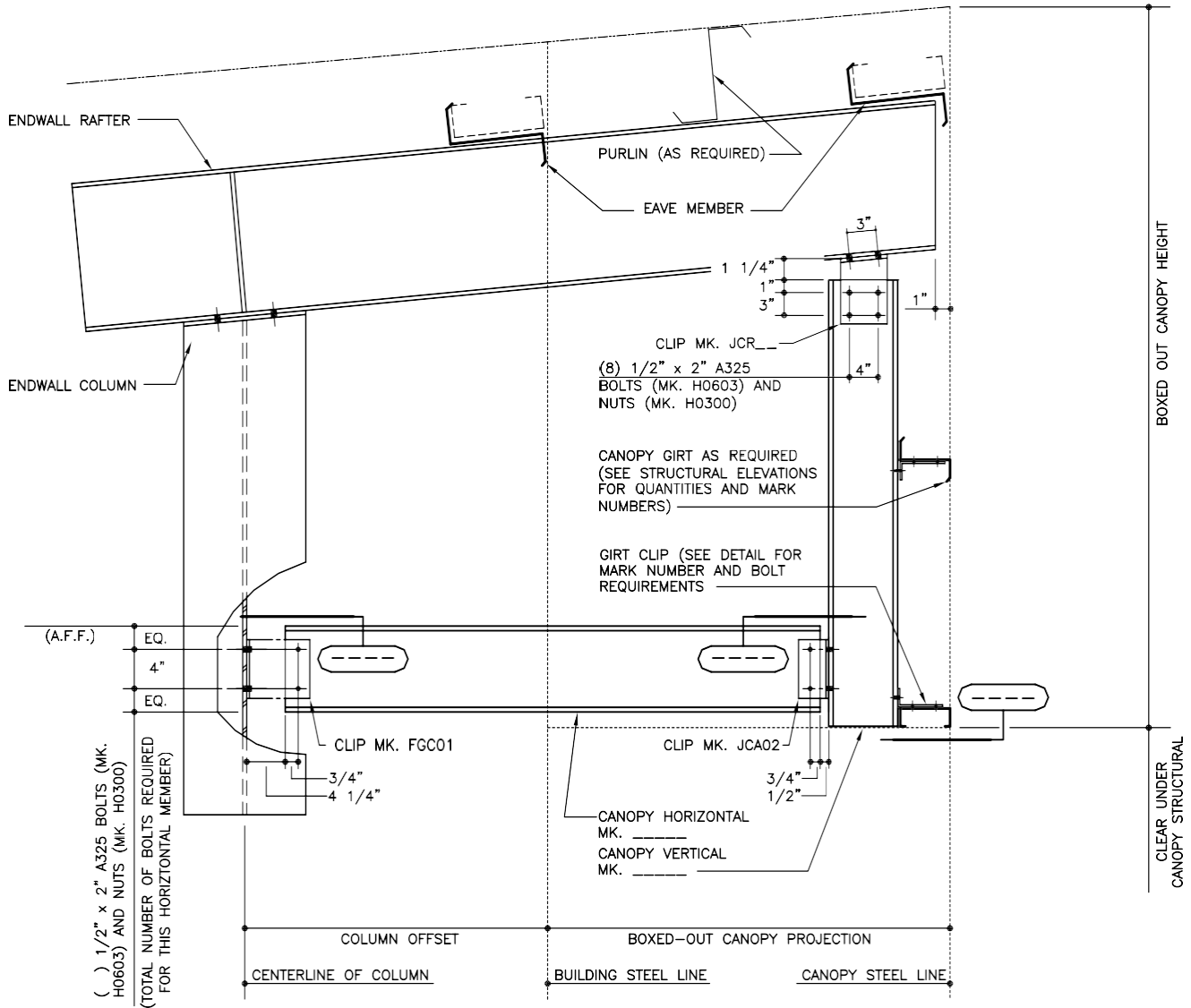


BOXED-OUT CANOPY AT SIDEWALL STRUCTURAL DETAIL

AT POST & BEAM ENDWALL FRAME - LOW EAVE
REFERENCE ERECTOR NOTE FOR TYPICAL WASHER REQUIREMENTS

AQ0460

AQ0470 – RAFTER, HIGH EAVE, - COLD-FORM



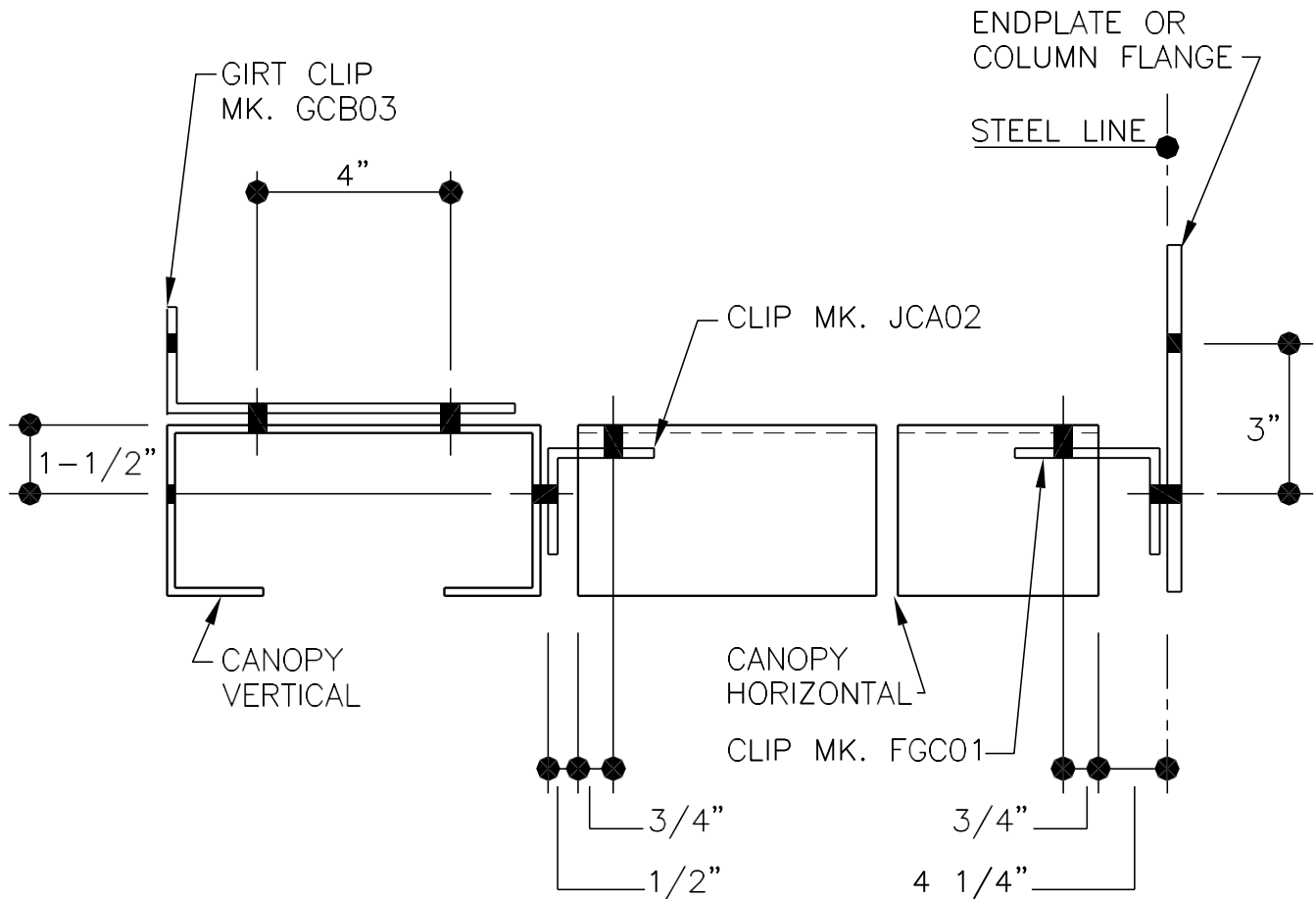
BOXED-OUT CANOPY AT SIDEWALL STRUCTURAL DETAIL

AT POST & BEAM ENDWALL FRAME – HIGH EAVE
REFERENCE ERECTOR NOTE FOR TYPICAL WASHER REQUIREMENTS

AQ0470

COLD-FORMED HORIZONTAL DETAILS

AQ0500 – SINGLE CEE HORIZONTAL

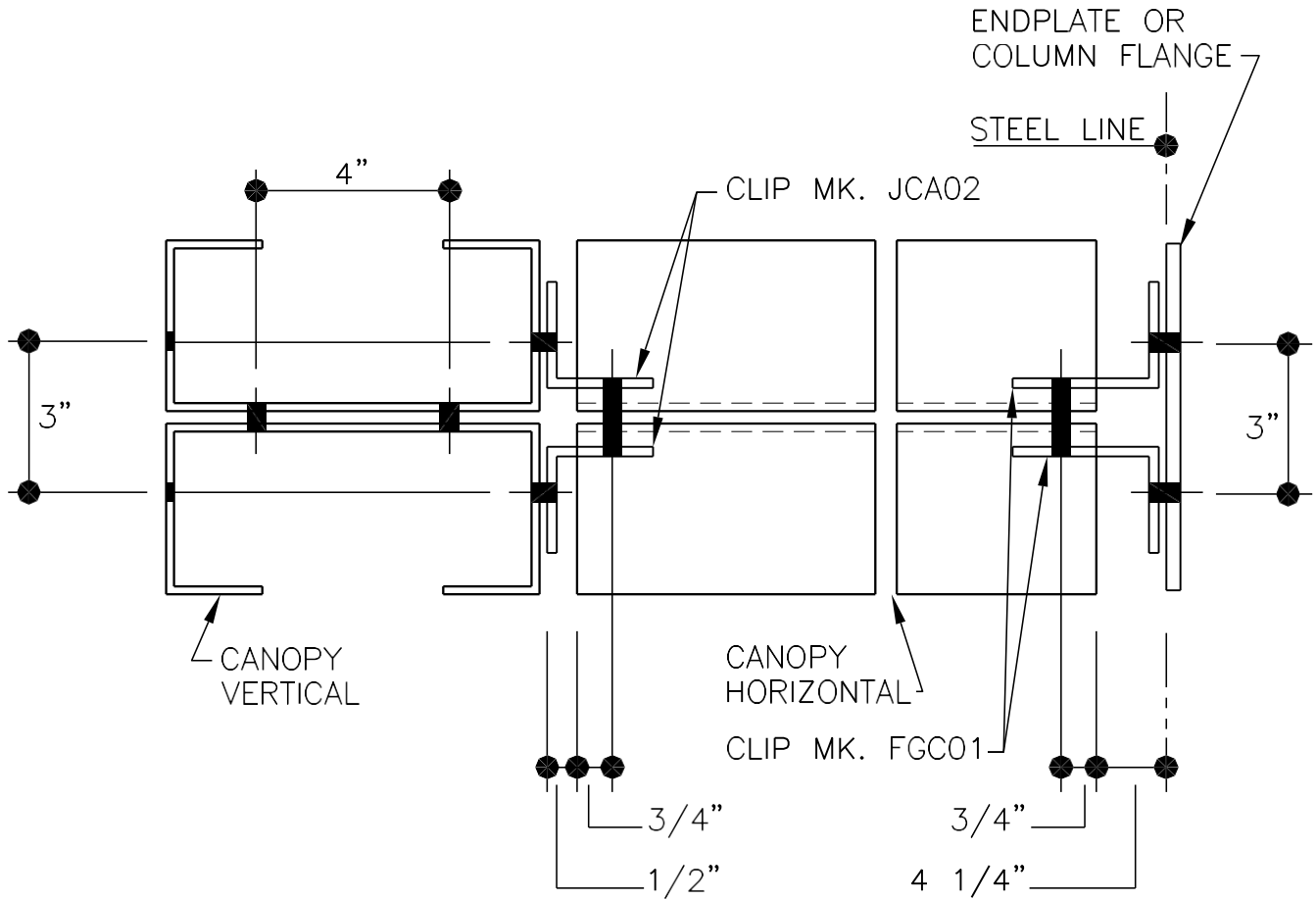


CANOPY HORIZONTAL

SECTION VIEW OF CANOPY HORIZONTAL WITH SINGLE CEE

AQ0500

AQ0510 – DOUBLE CEE HORIZONTAL



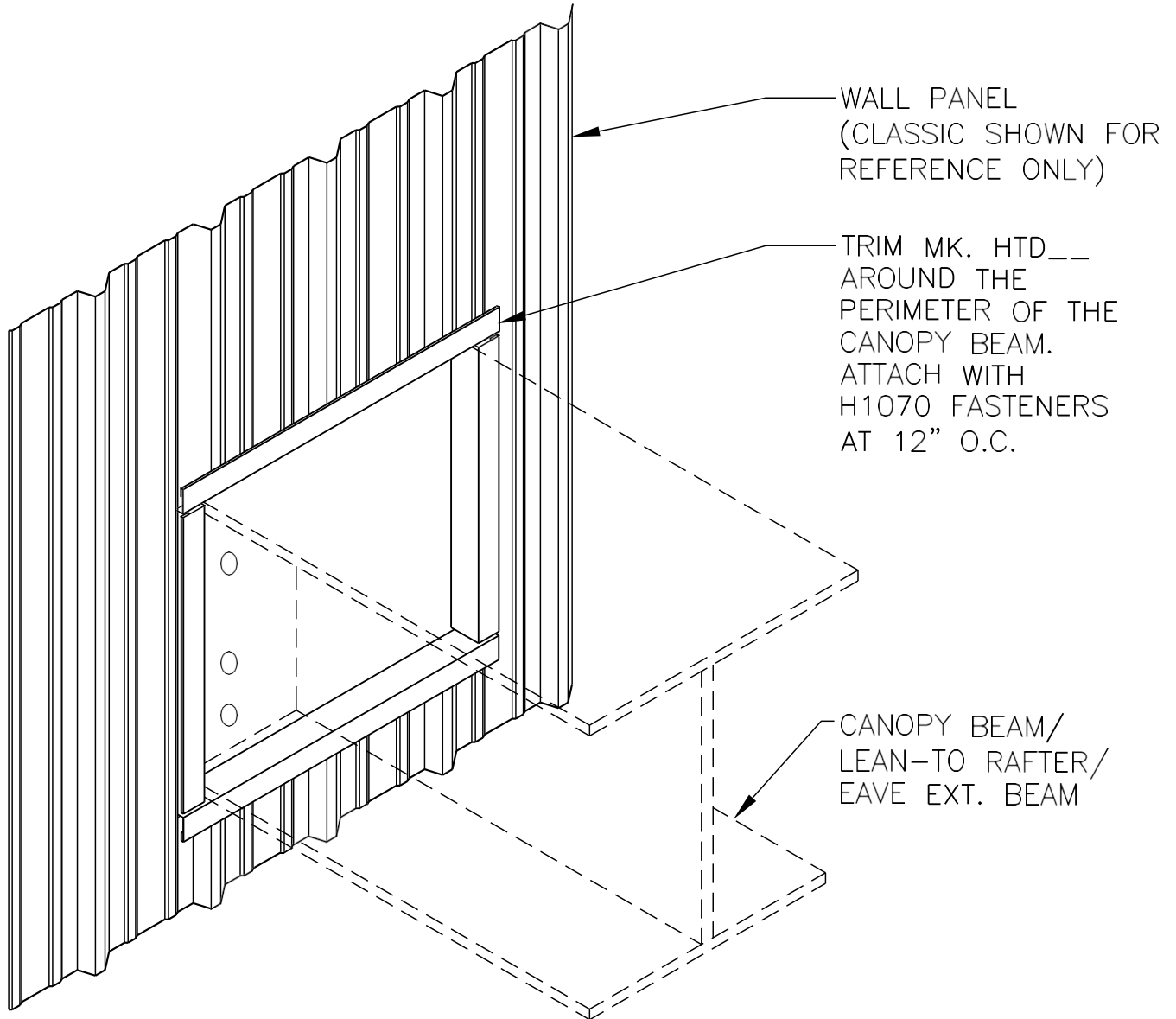
CANOPY HORIZONTAL

SECTION VIEW OF CANOPY HORIZONTAL WITH DOUBLE CEE

AQ0510

BOXED-OUT CANOPY SHEETING DETAILS
CLASSIC ROOF

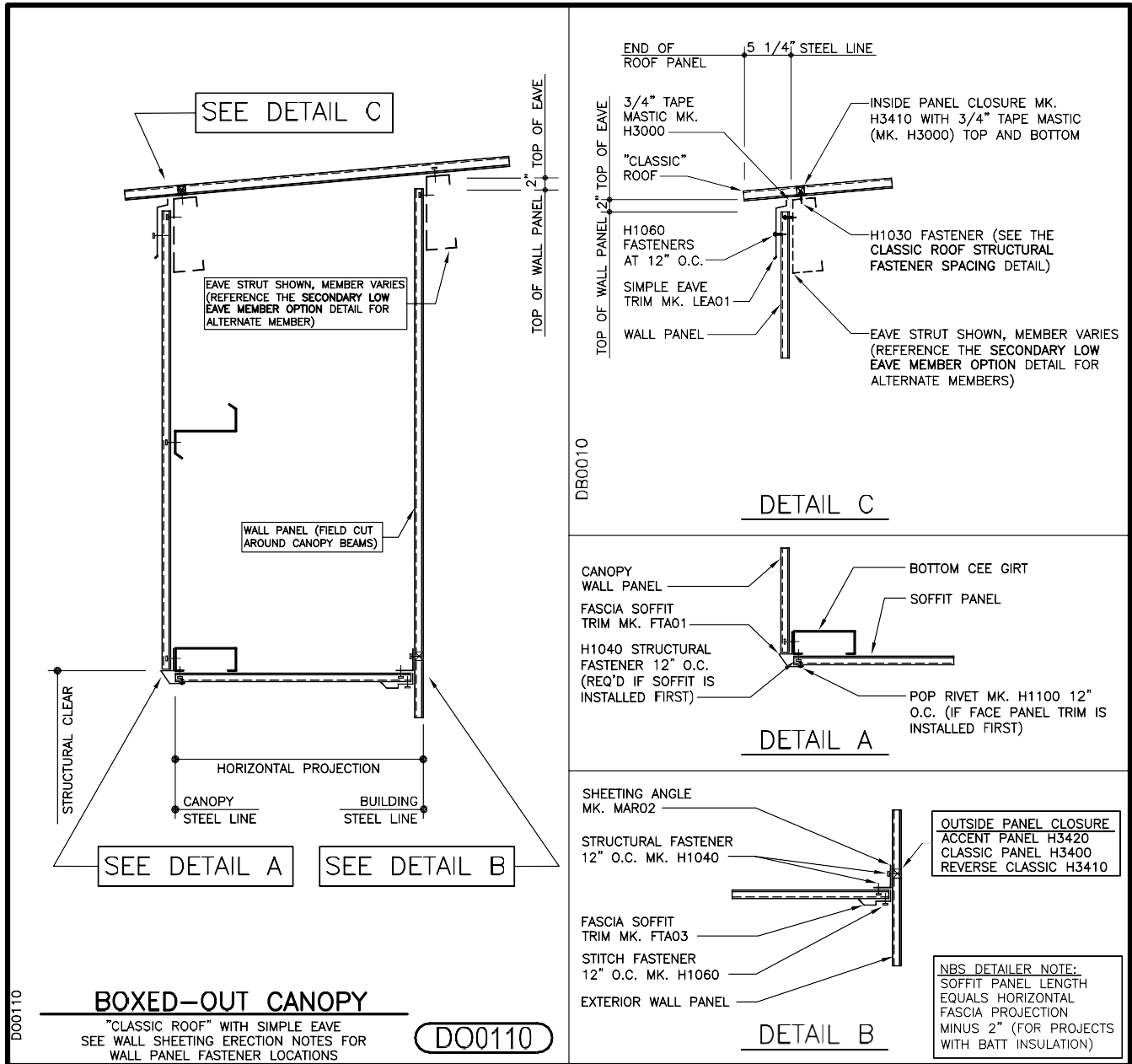
DO0105 – BEAM TRIM DETAIL



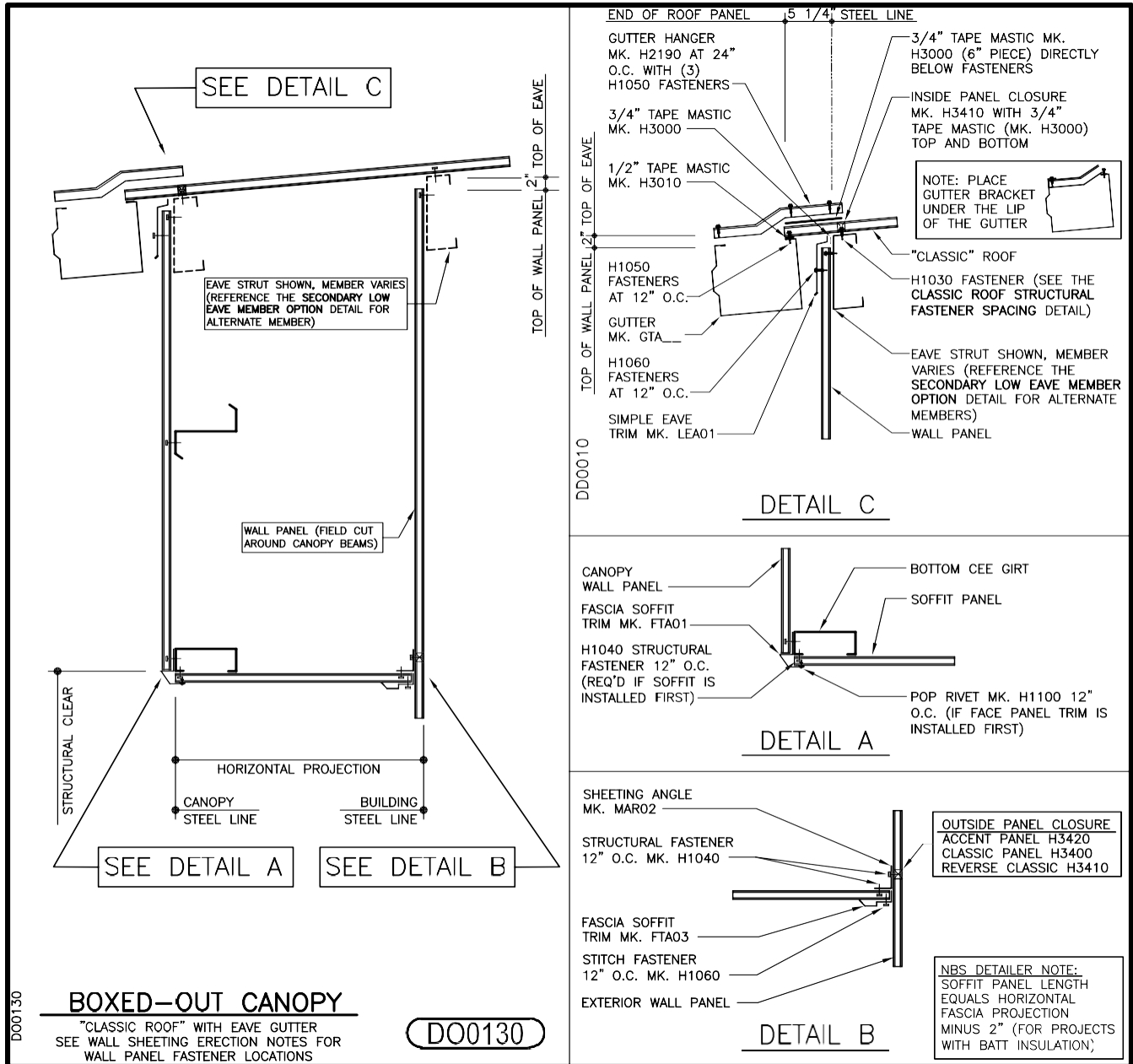
BEAM TRIM DETAIL

DO0105

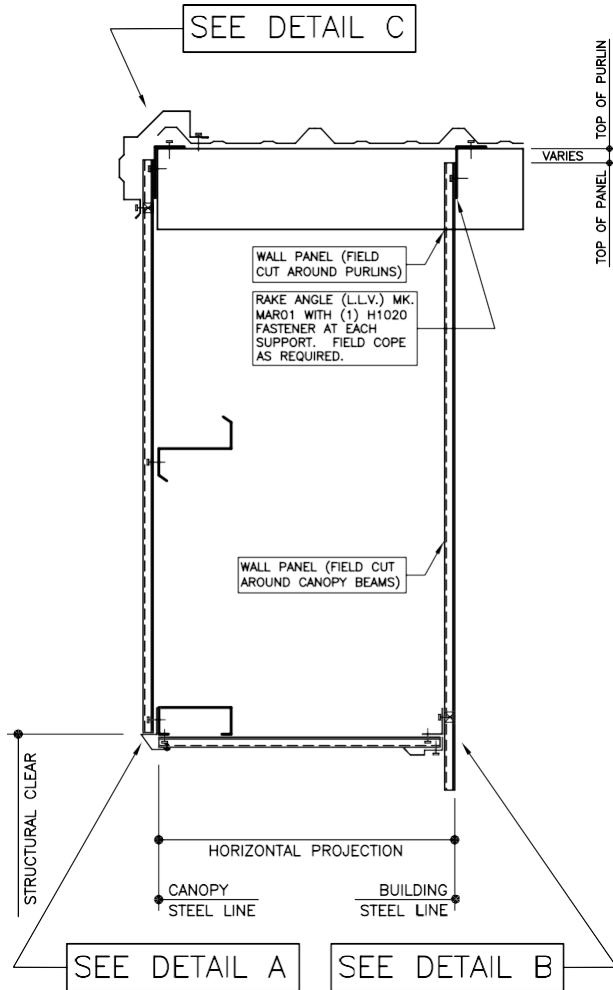
DO0110PE – LOW EAVE, NO GUTTER



DO0130PE – LOW EAVE, GUTTER



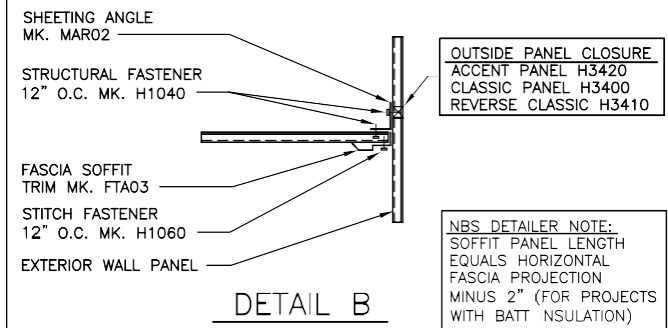
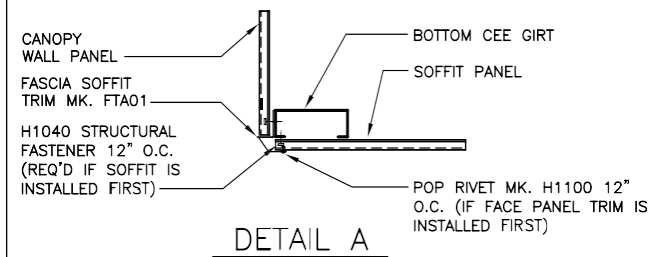
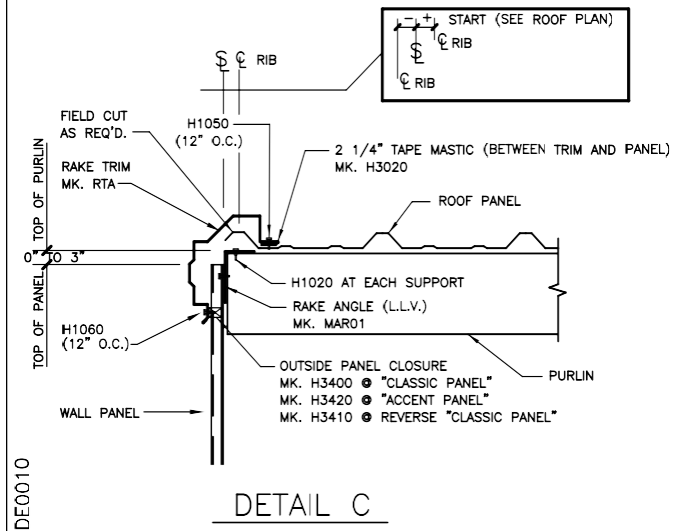
DO0150PE – RAKE



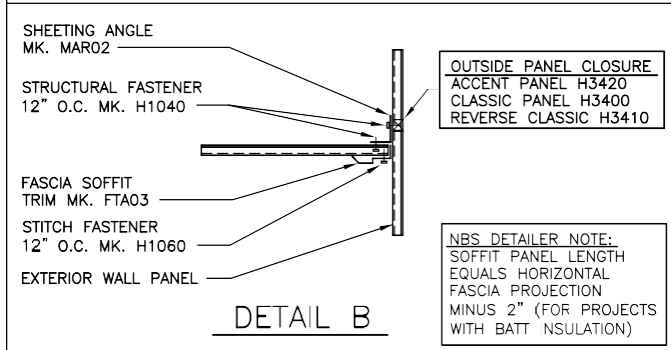
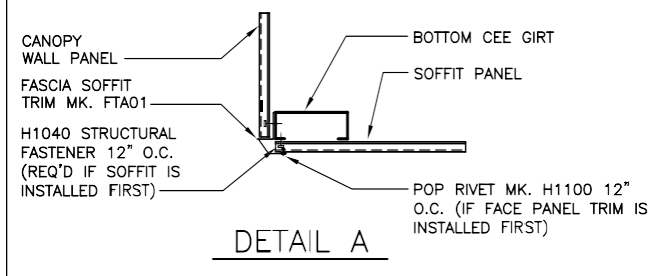
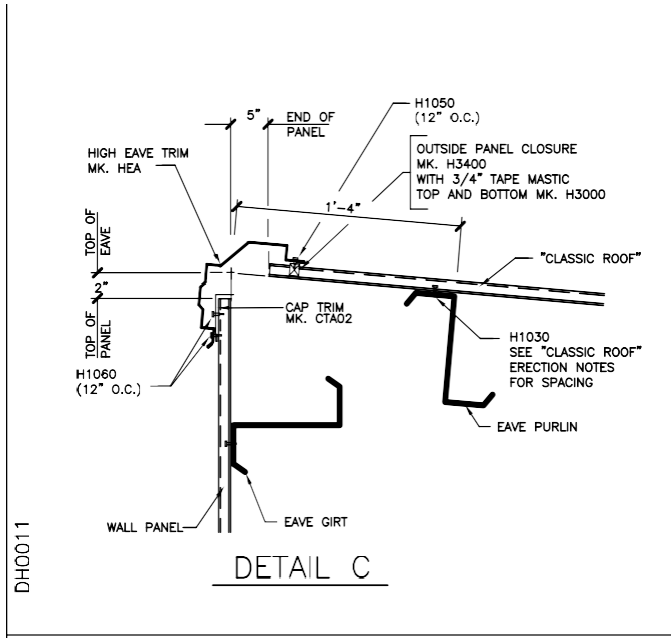
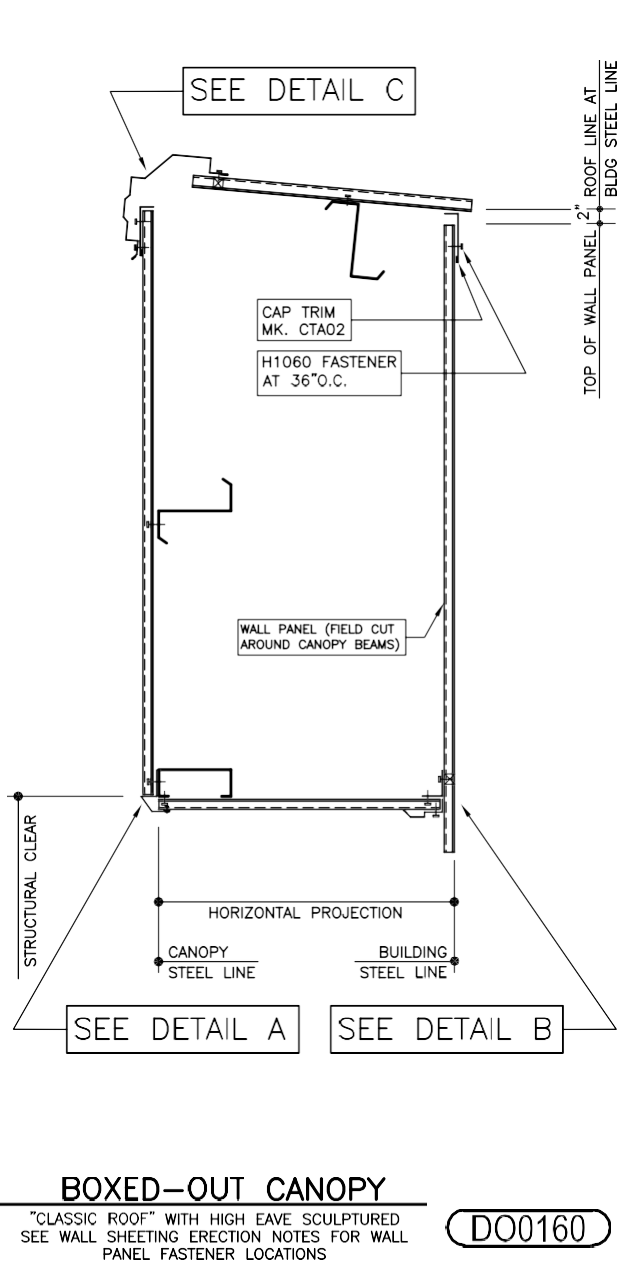
BOXED-OUT CANOPY

"CLASSIC ROOF" WITH SCULPTURED RAKE
SEE WALL SHEETING ERECTION NOTES FOR
WALL PANEL FASTENER LOCATIONS

DO0150

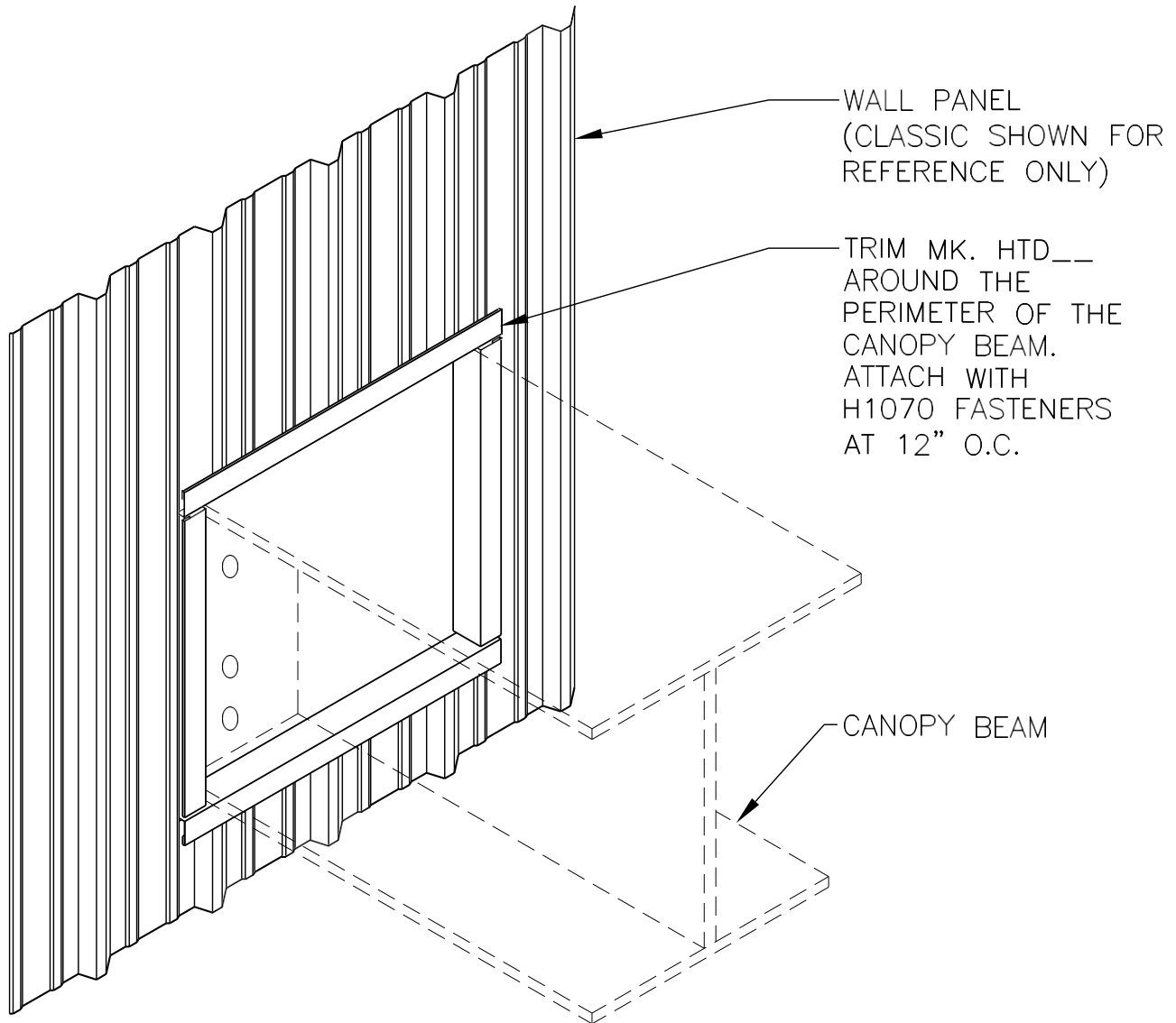


DO0160PE – HIGH EAVE



C.F.R. ROOF

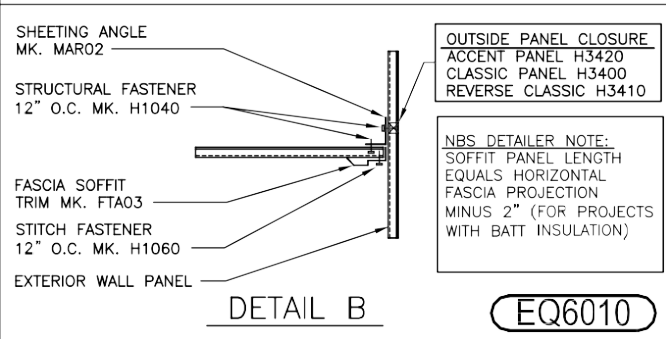
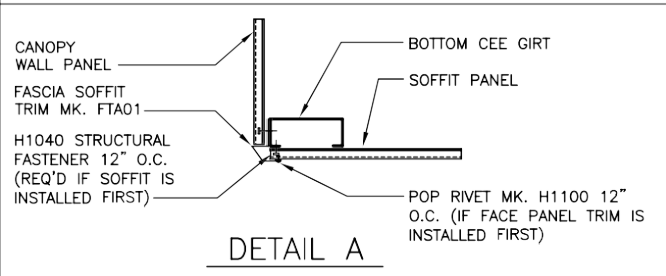
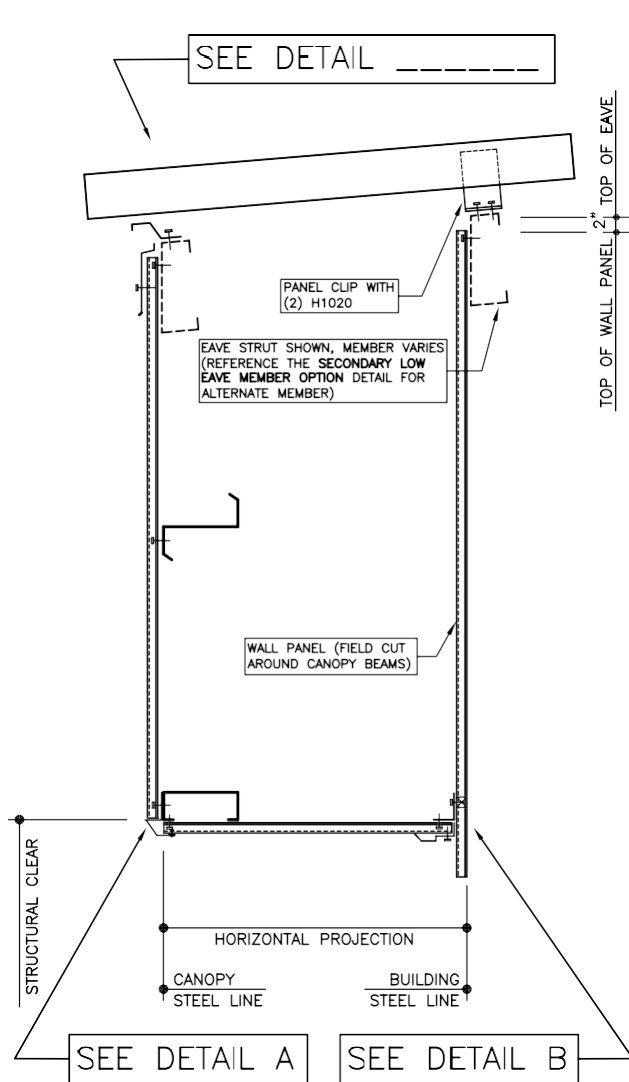
EQ6005 – BEAM TRIM DETAIL



BEAM TRIM DETAIL

EQ6005

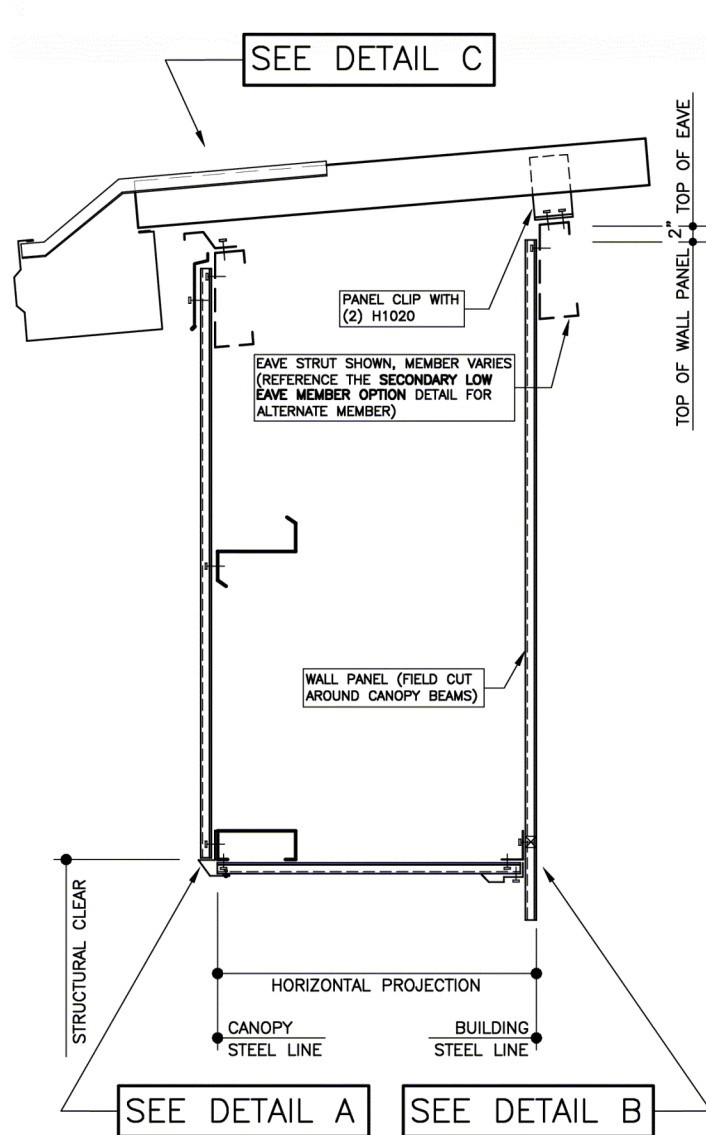
EQ6010 – LOW EAVE, NO GUTTER



EQ6010

BOXED-OUT CANOPY
"CFR ROOF" WITH SIMPLE EAVE
SEE WALL SHEETING ERECTION NOTES FOR WALL PANEL FASTENER LOCATIONS

EQ0030PE – LOW EAVE, GUTTER

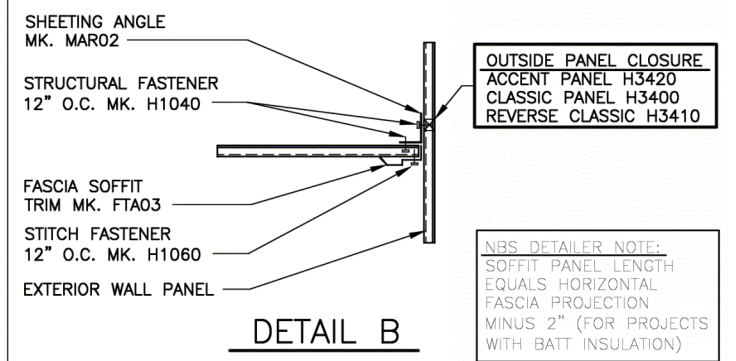
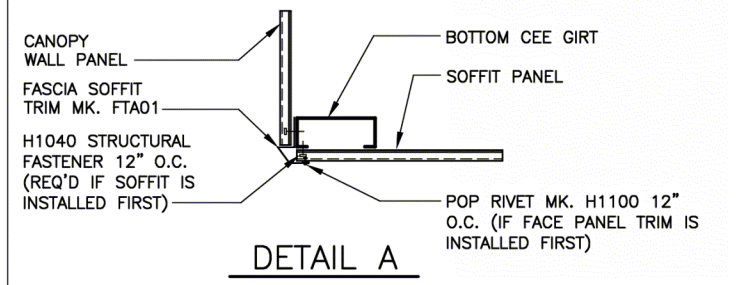
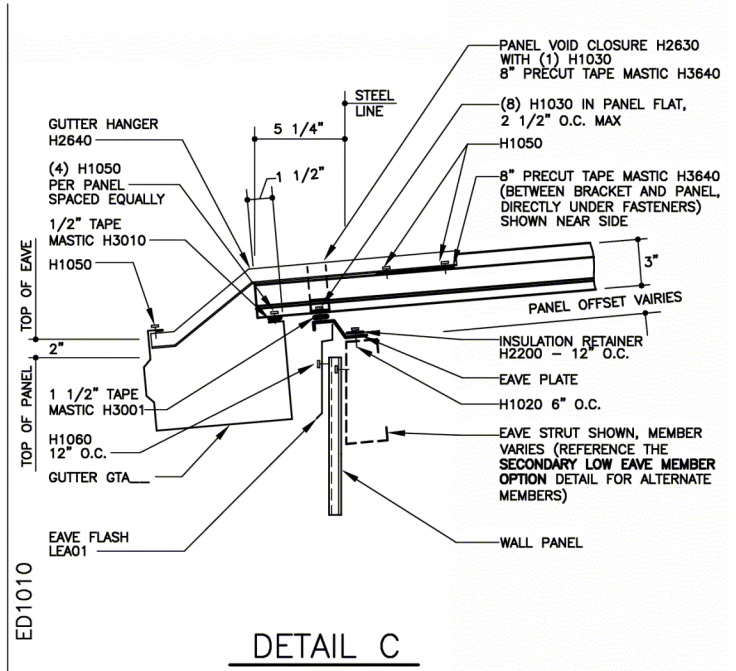


EQ0030PE

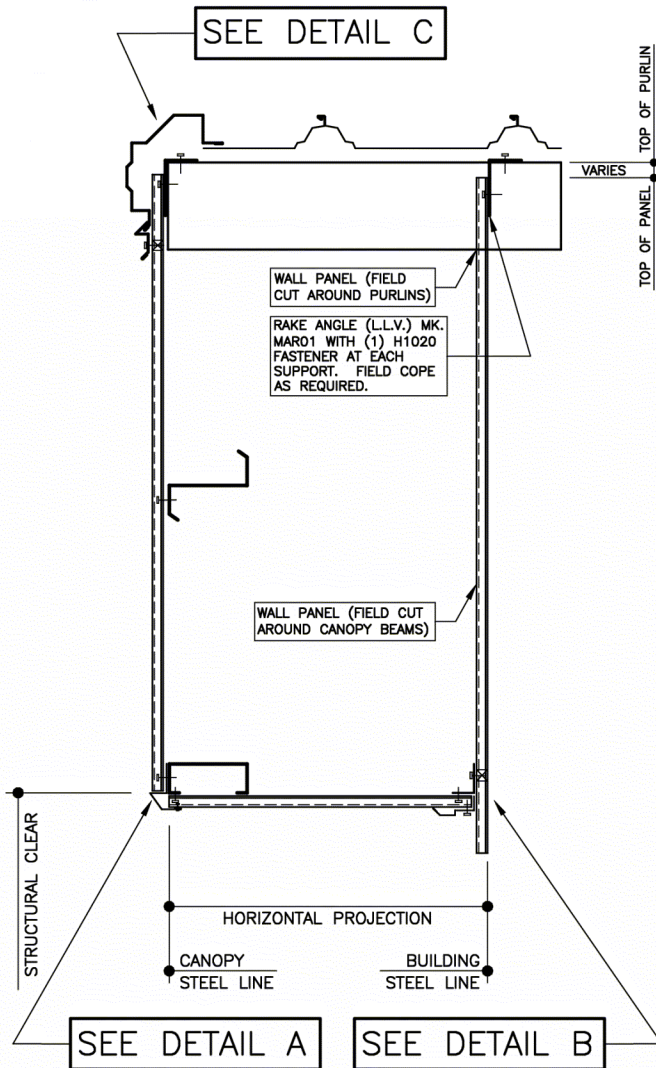
BOXED-OUT CANOPY

"CFR ROOF" WITH EAVE GUTTER
SEE WALL SHEETING ERECTION NOTES FOR
WALL PANEL FASTENER LOCATIONS

EQ0030PE



EQ0050PE - RAKE

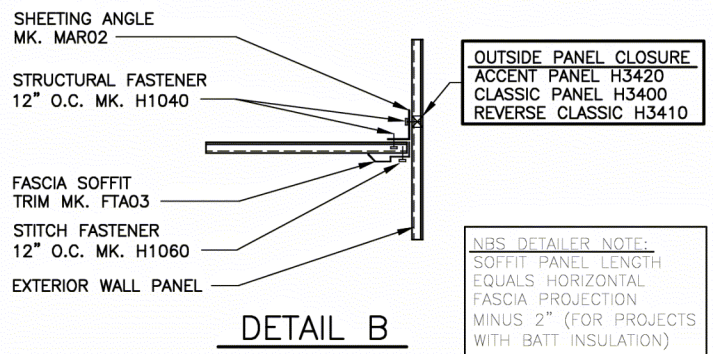
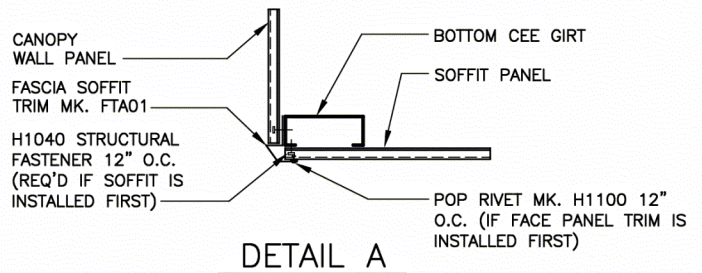
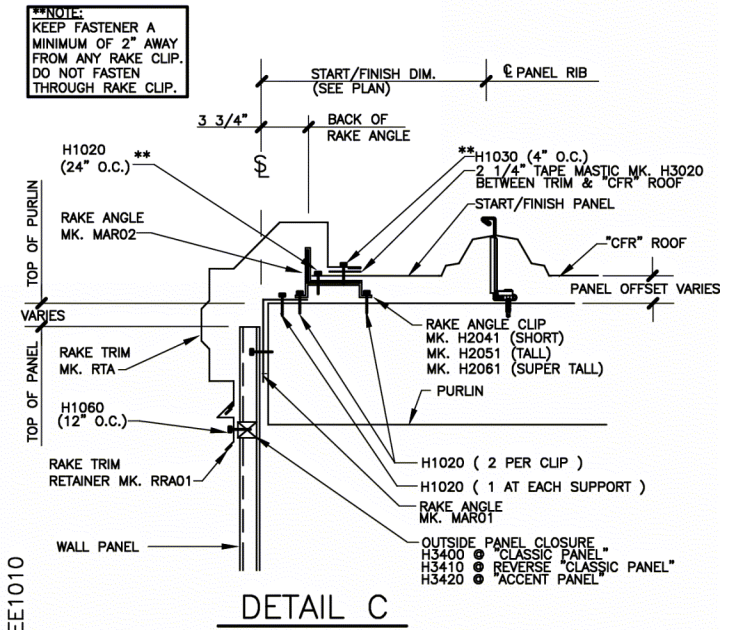


EQ0050PE

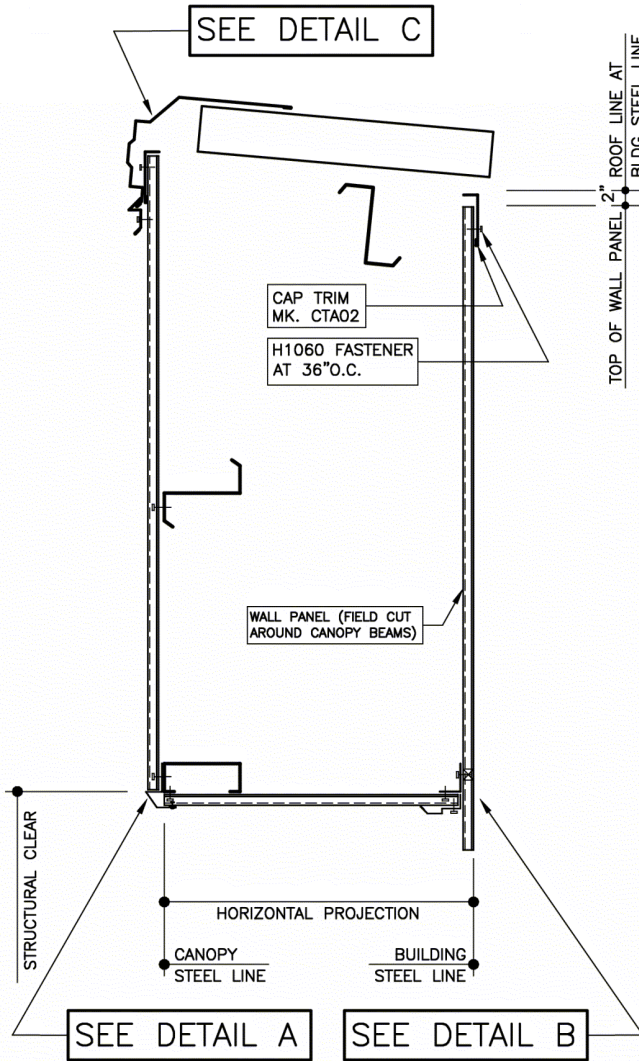
BOXED-OUT CANOPY

"CFR ROOF" WITH SCULPTURED RAKE
SEE WALL SHEETING ERECTION NOTES FOR
WALL PANEL FASTENER LOCATIONS

EQ0050PE

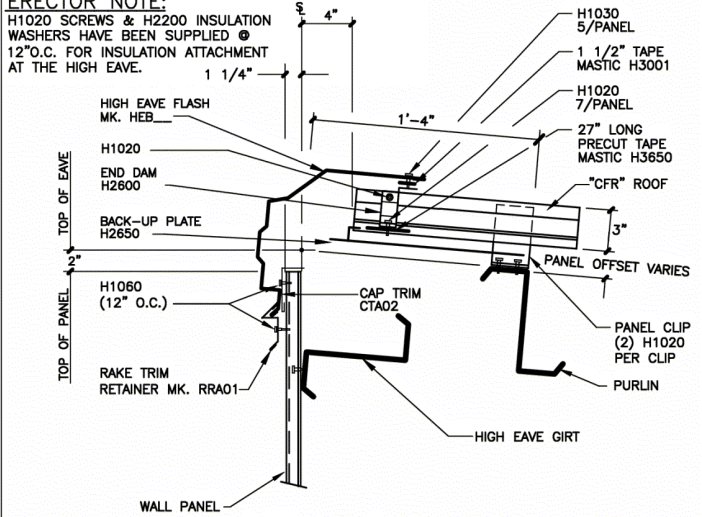


EQ0060PE – HIGH EAVE

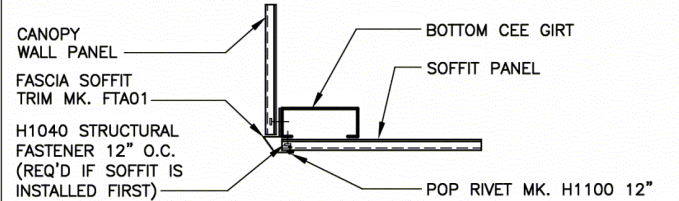


ERECTOR NOTE:

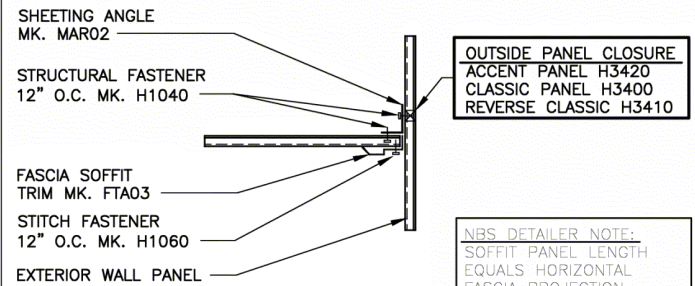
H1020 SCREWS & H2200 INSULATION WASHERS HAVE BEEN SUPPLIED @ 12" O.C. FOR INSULATION ATTACHMENT AT THE HIGH EAVE.



DETAIL C



DETAIL A



DETAIL B

OUTSIDE PANEL CLOSURE
ACCENT PANEL H3420
CLASSIC PANEL H3400
REVERSE CLASSIC H3410

NBS DETAILER NOTE:
SOFFIT PANEL LENGTH EQUALS HORIZONTAL FASCIA PROJECTION MINUS 2" (FOR PROJECTS WITH BATT INSULATION)

EQ0060PE

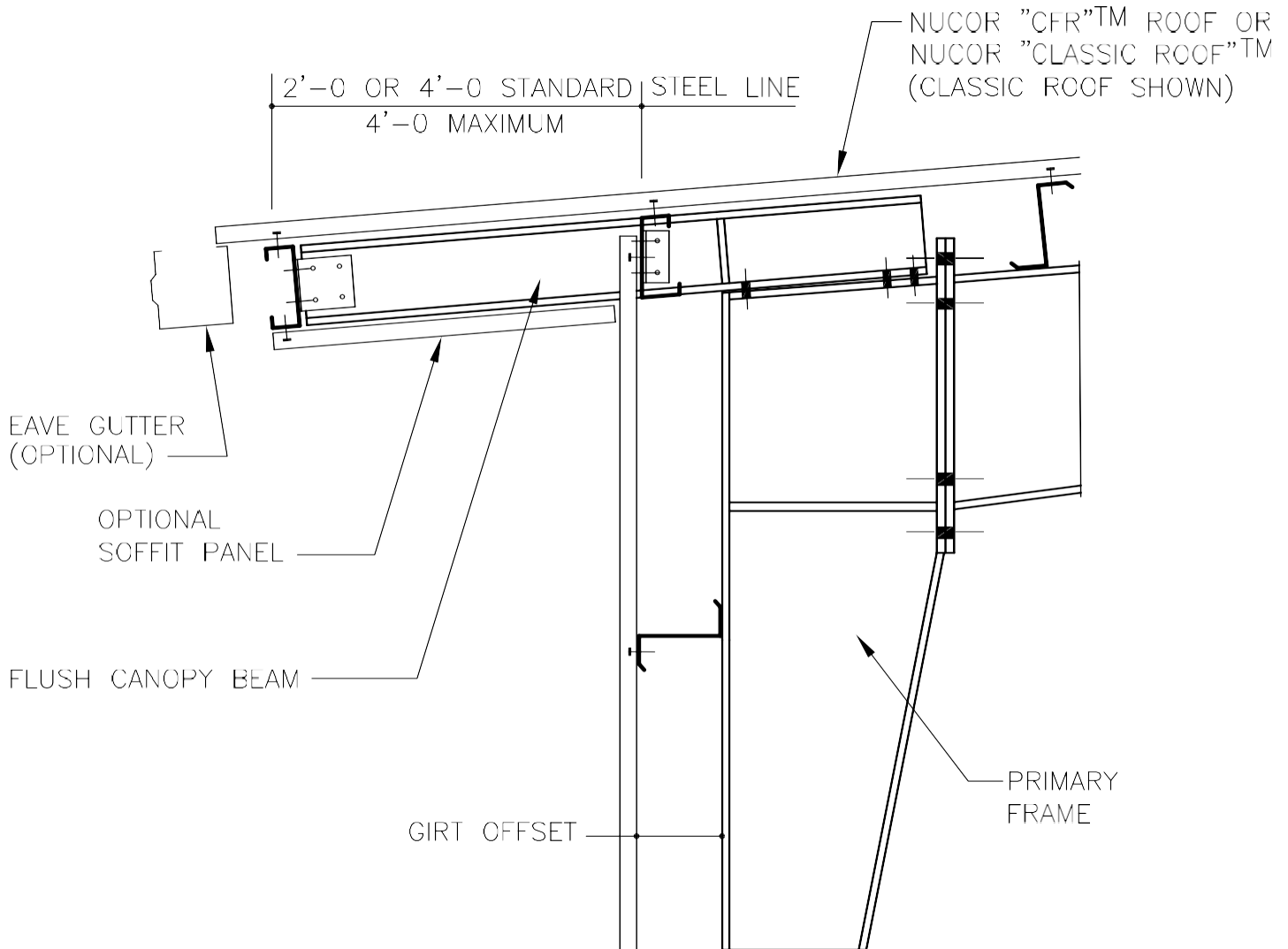
BOXED-OUT CANOPY

"CFR ROOF" WITH HIGH EAVE SCULPTURED
SEE WALL SHEETING ERECTION NOTES FOR WALL
PANEL FASTENER LOCATIONS

EQ0060PE

EAVE/RAKE EXTENSION DETAILS

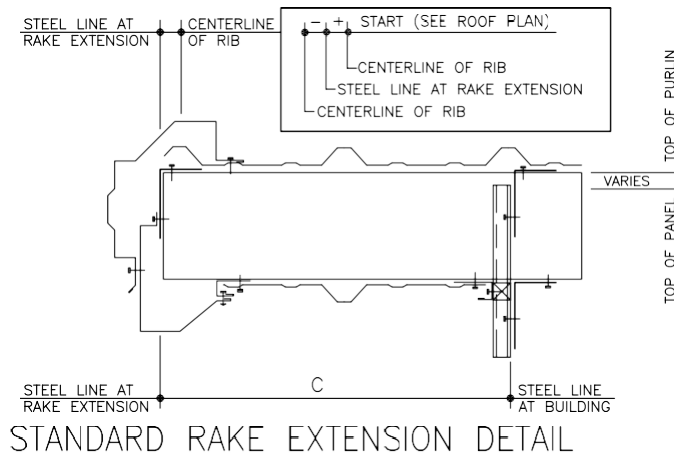
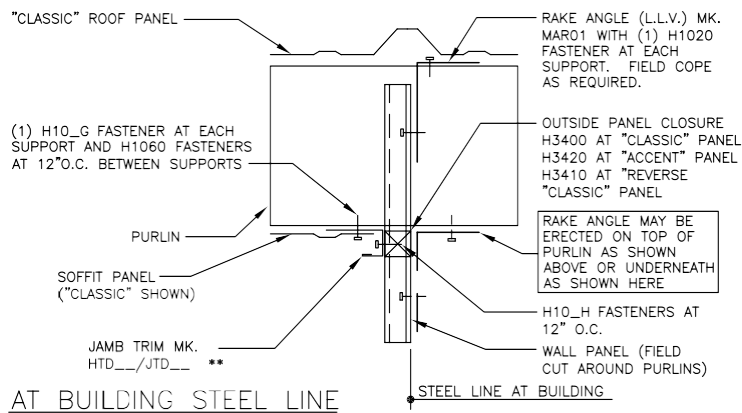
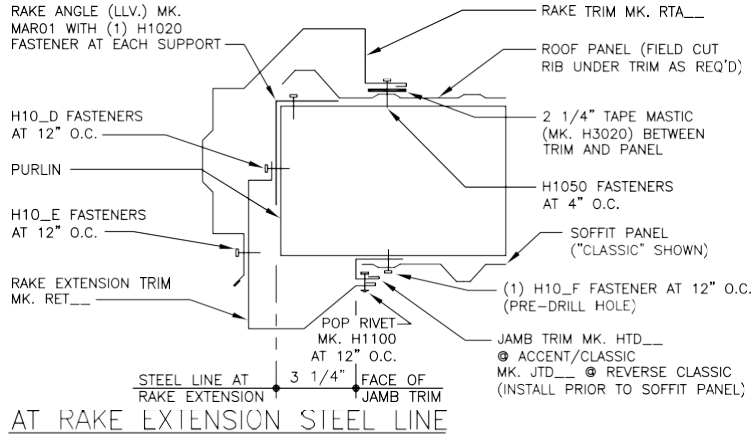
CE0080PE – EAVE EXTENSION (CONCEALED BEAM)



NOTE:

- 1) OUTSET GIRT CONDITION SHOWN. ALSO AVAILABLE WITH INSET GIRT CONDITION.
- 2) EAVE EXTENSIONS ARE NOT AVAILABLE ON BUILDINGS WITH OPEN-WEB JOIST ROOF PURLINS.
- 3) NUCOR DOES NOT RECOMMEND THE USE OF A SIDEWALL EAVE EXTENSION WITHOUT SOFFIT PANEL, DUE TO WEATHER TIGHTNESS OF THIS CONDITION.

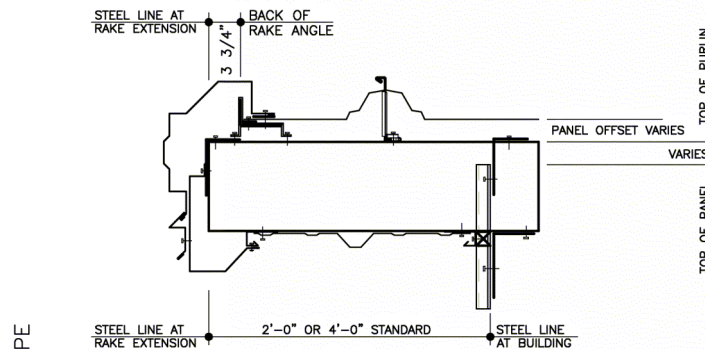
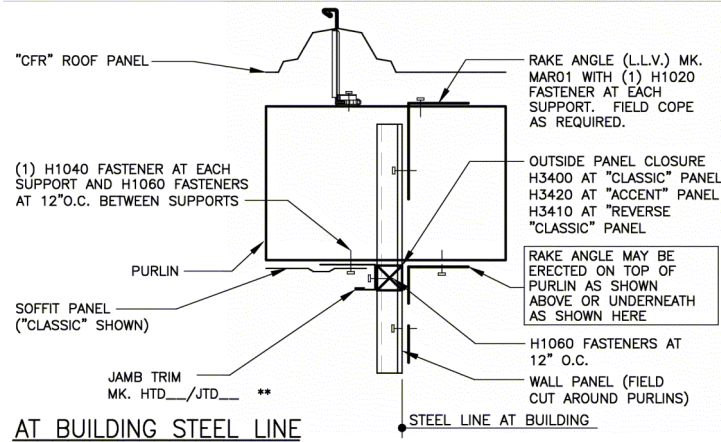
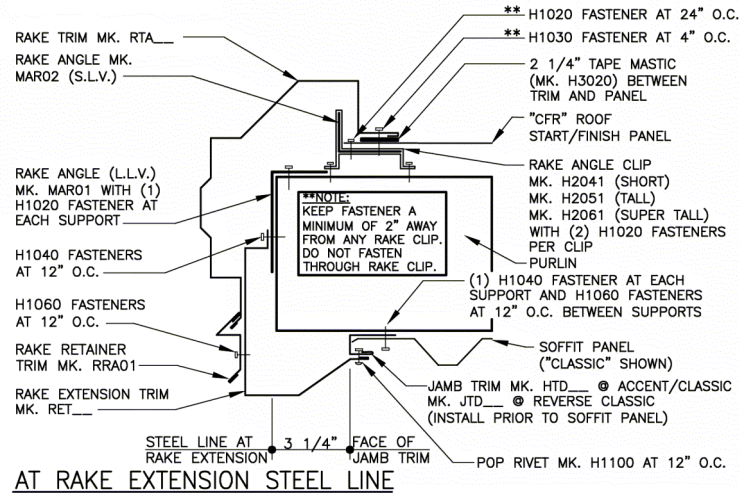
DM0070 – RAKE EXTENSION (NUCOR “CLASSIC ROOF”™)



"CLASSIC" ROOF
INSTALL JAMB TRIM & CLOSURE PRIOR TO SOFFIT PANEL
SEE WALL SHEETING ERECTION NOTES FOR
WALL PANEL FASTENER LOCATIONS

DM0070

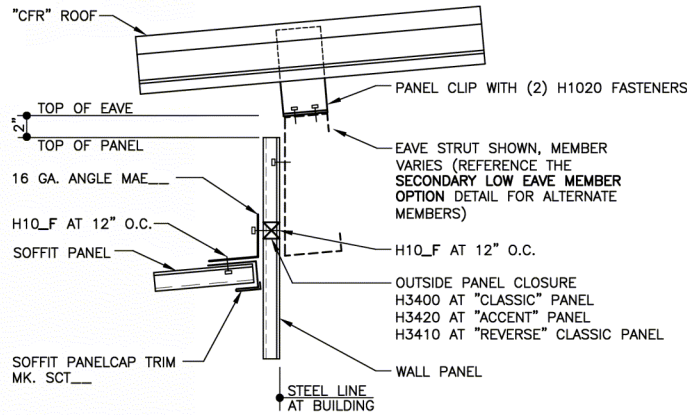
EO1050PE – RAKE EXTENSION (NUCOR “CFR”™ ROOF)



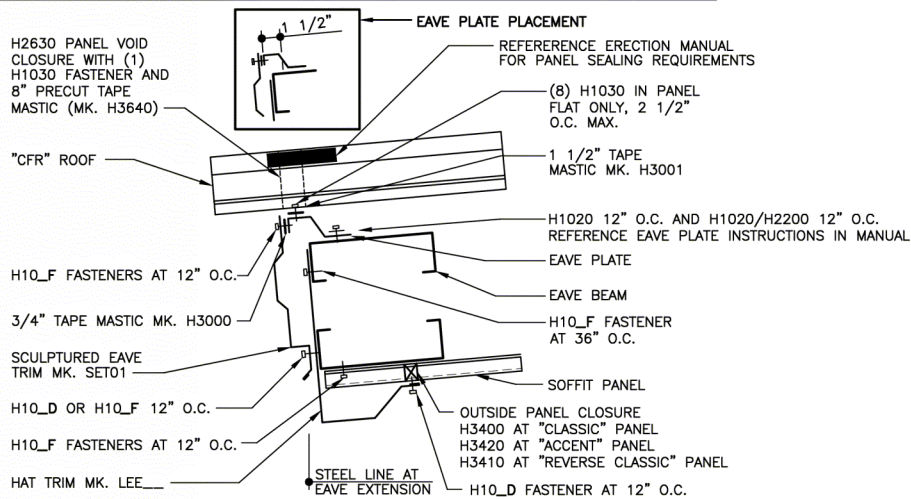
EO1050PE **STANDARD RAKE EXT. DETAIL** **EO1050**

"CFR ROOF"
** INSTALL JAMB TRIM & CLOSURE PRIOR TO SOFFIT PANEL
SEE WALL SHEETING ERECTION NOTES FOR WALL PANEL FASTENER LOCATIONS

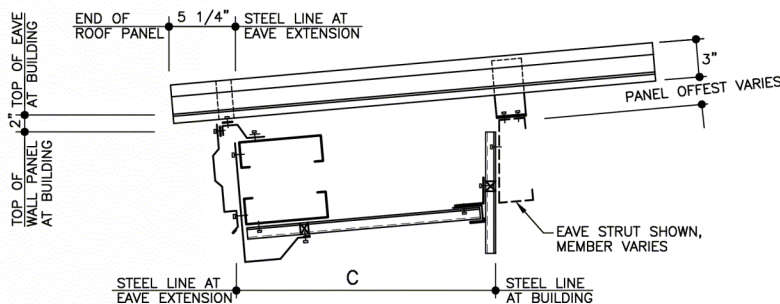
EO6210 – EAVE EXTENSION AT BOX BEAM (NUCOR “CFR”™ ROOF)



AT BUILDING STEEL LINE



AT EAVE EXTENSION STEEL LINE



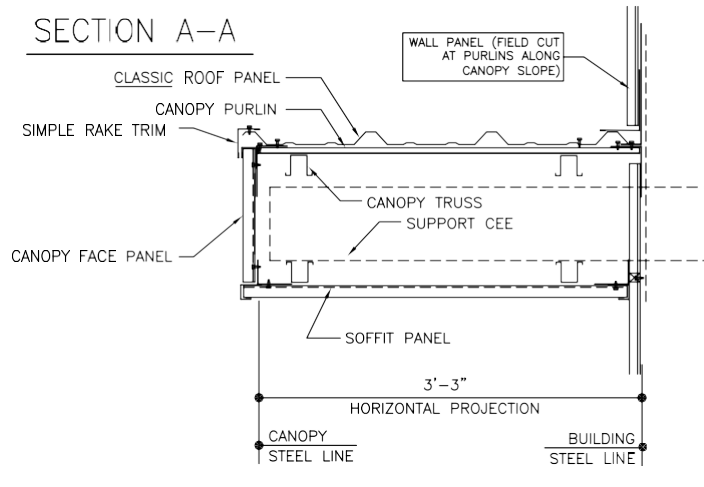
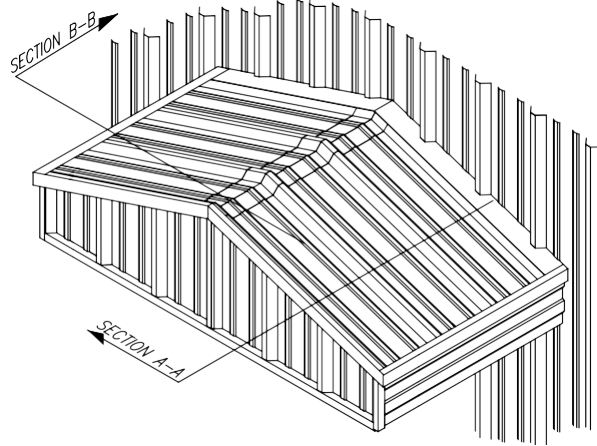
STANDARD EAVE EXTENSION

"CFR ROOF"
SEE WALL SHEETING ERECTION NOTES FOR WALL PANEL FASTENER LOCATIONS
FIELD CUT WALL PANEL AROUND EXTENSION BEAM

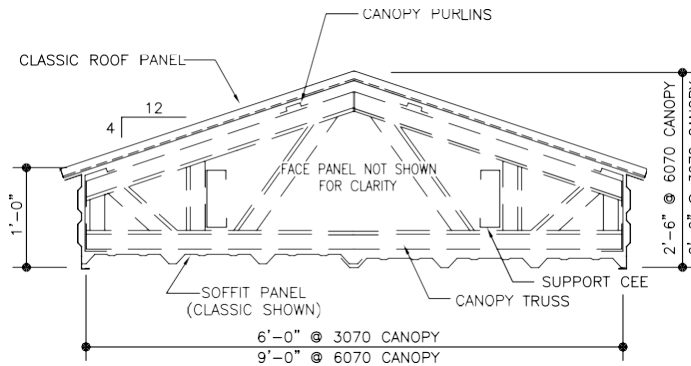
EO6210

WALKDOOR CANOPY DETAILS

DO0600PE – WALKDOOR CANOPY DETAIL



SECTION B-B



DO0600PE

LAST REVISION
DATE: 02/22/10
BY: AES CHK: AES

DETAIL NAME IF APPLICABLE

DO0600PE.DWG

7.2.56